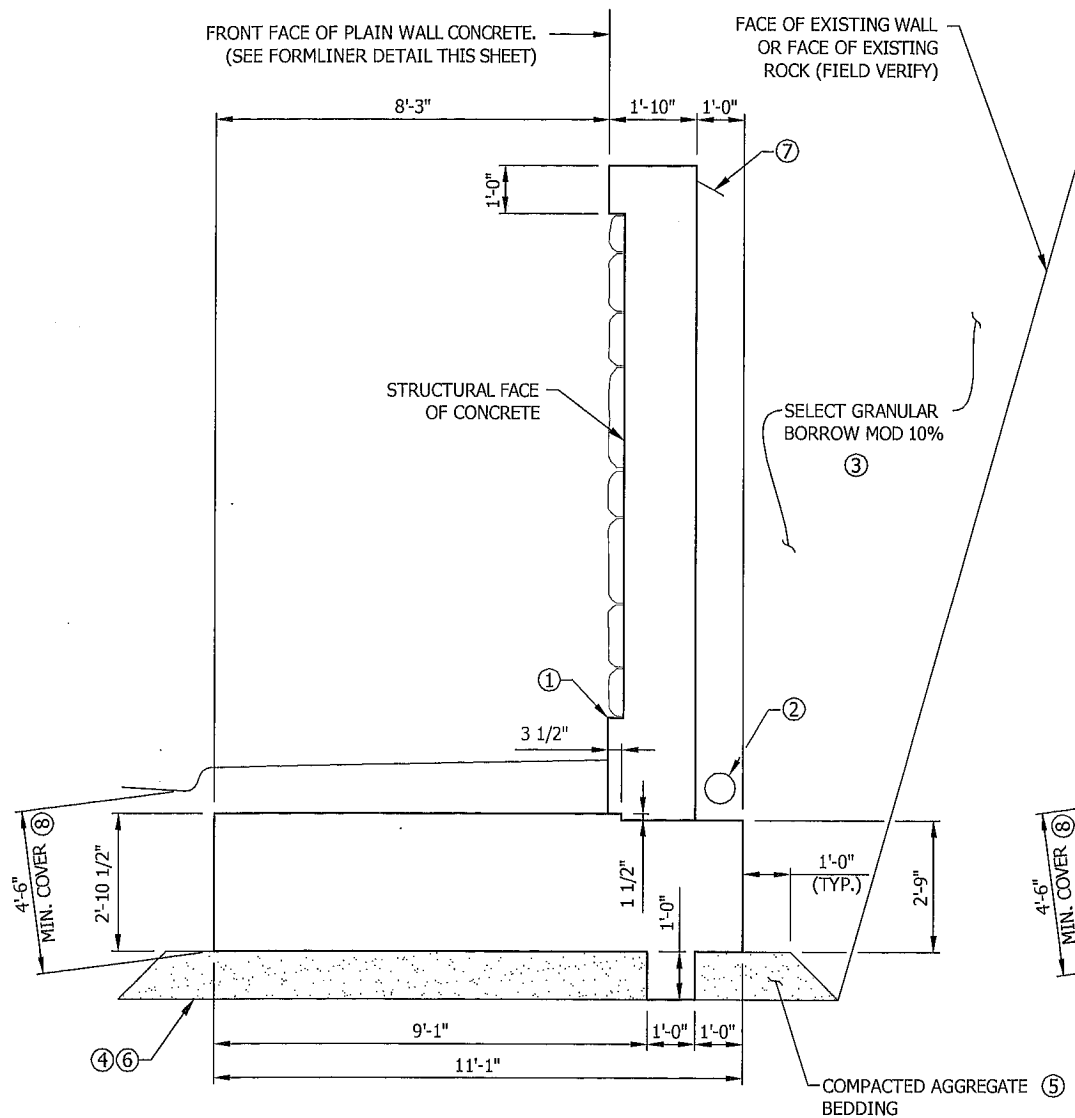
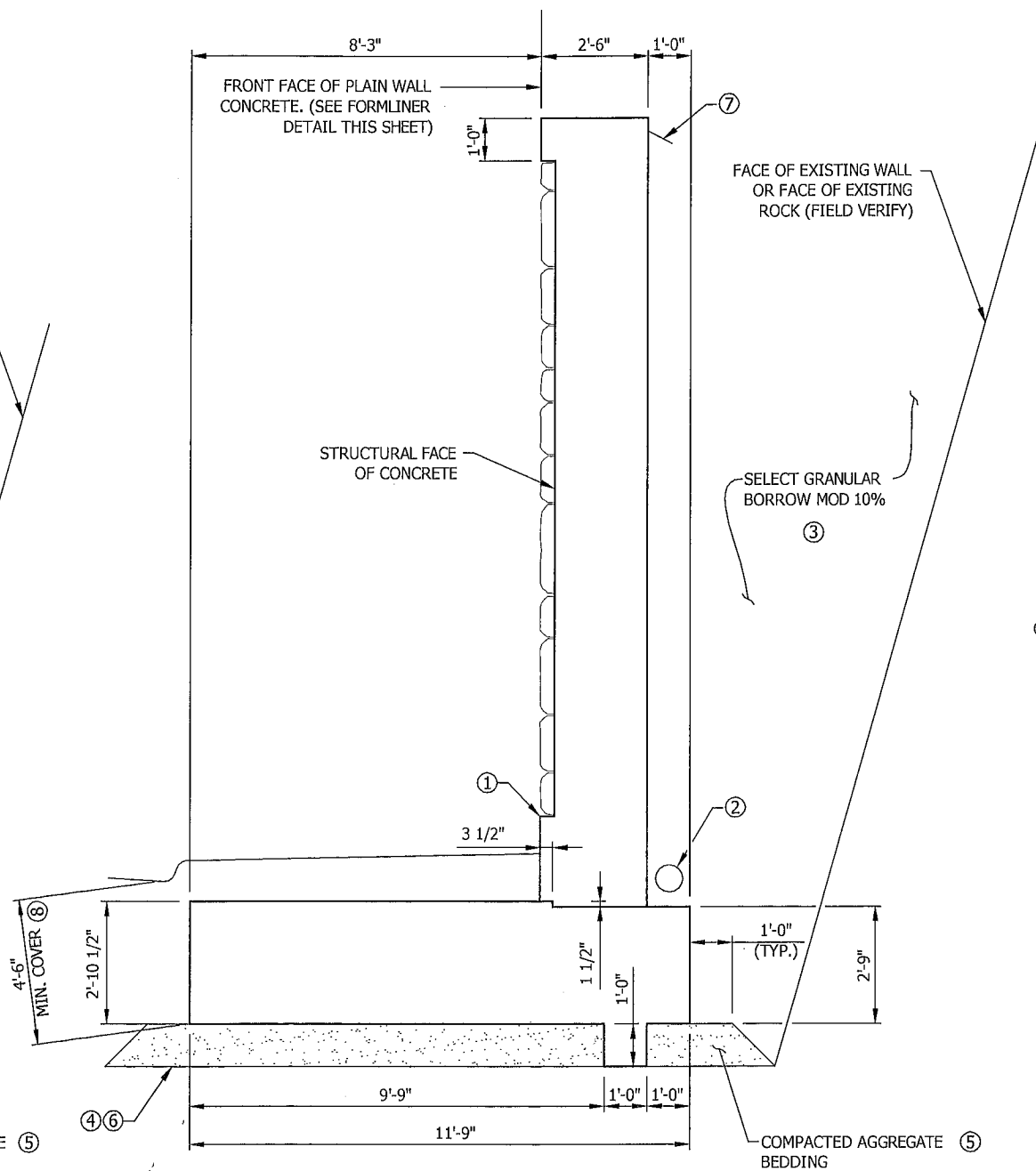


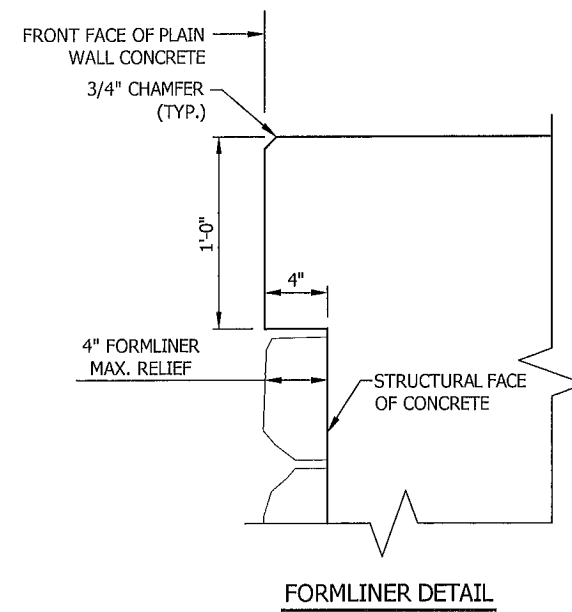
THE CONTRACTOR SHALL VERIFY AND BE RESPONSIBLE FOR ALL DIMENSIONS AND NOT SCALE THE DRAWING. THE CONTRACTOR SHALL VERIFY ALL DIMENSIONS AND NOT SCALE THE DRAWING. THE CONTRACTOR SHALL VERIFY ALL DIMENSIONS AND NOT SCALE THE DRAWING. THE CONTRACTOR SHALL VERIFY ALL DIMENSIONS AND NOT SCALE THE DRAWING.



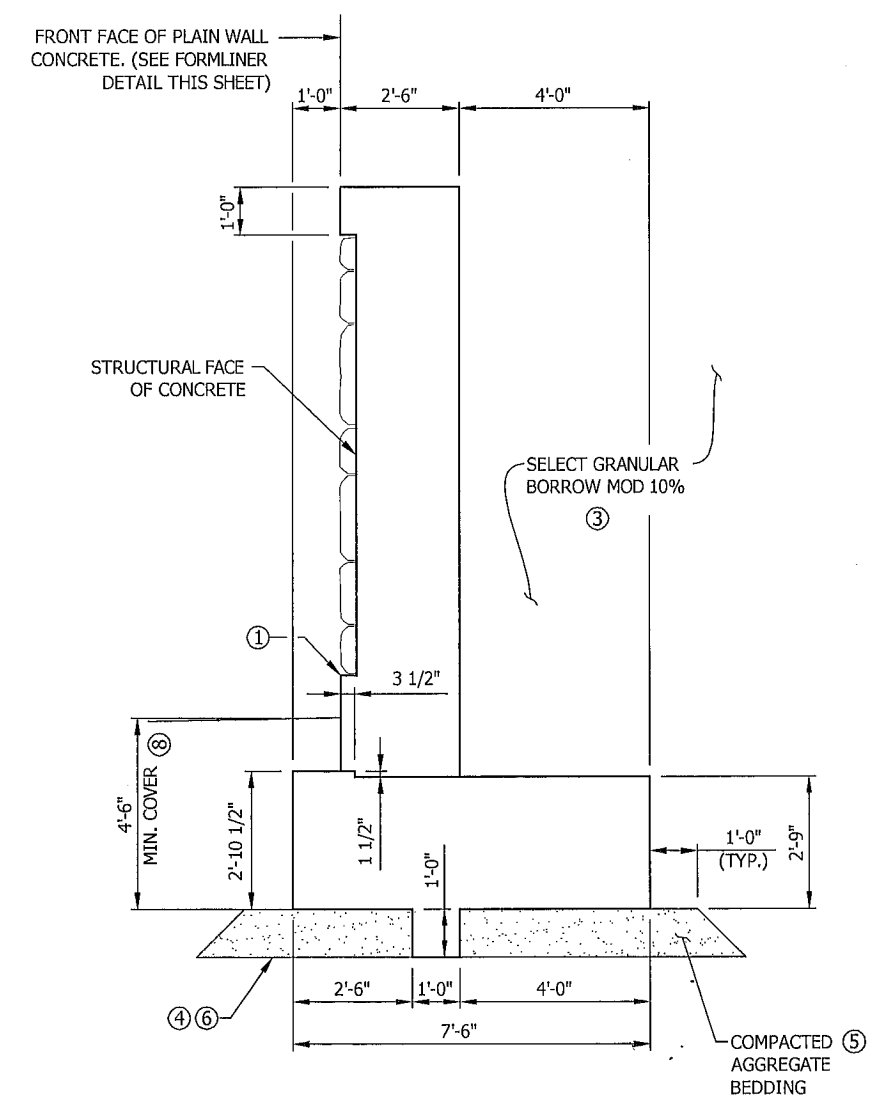
**PANEL A TYPICAL SECTION**



**PANEL B-G TYPICAL SECTION**



**FORMLINER DETAIL**



**EAST/WEST WALL SECTION  
AT STATION 66+70**

- NOTES:**
- ① TOP OF FRONT FACE PLAIN WALL CONCRETE AT BASE OF WALL SHALL BE 2'-0" ABOVE FINISHED SIDEWALK FOR ENTIRE LENGTH OF FORMLINER. SEE ELEVATION VIEW SHEET 33.
  - ② 4" DIA. PERFORATED PIPE. WRAP WITH APPROVED GEOTEXTILE. MIN. 1% SLOPE AND CONNECT INTO 12" PVC PIPE AT NORTH END OF WALL (SEE SHEET 47). ALL PVC PIPE AND FITTINGS SHALL CONFORM TO SPEC. 3245 EXCEPT THAT SOLID WALL PIPE SHALL BE SDR 26 INPLACE OF SDR 35.
  - ③ ALL BACKFILL BEHIND NEW RETAINING WALL SHALL BE SELECT GRANULAR BORROW PER SPEC 3149.2B2, MODIFIED TO 10% OR LESS PASSING THE NO. 200 SIEVE. ALL BACKFILL SHALL BE COMPACTED IN ACCORDANCE WITH SPEC 2105.3F2 (SEE SPECIAL PROVISIONS).
  - ④ EXCAVATION SHALL EXTEND 1'-0" BELOW BOTTOM OF FOOTING ELEVATION UNLESS OTHERWISE APPROVED BY THE ENGINEER, AND SHALL INCLUDE EXCAVATION OF ALL MATERIALS ENCOUNTERED AS NOTED ON SHEET 33. ALL EXCAVATION FOR WALL CONSTRUCTION SHALL BE INCLUDED IN ITEM "STRUCTURE EXCAVATION CLASS U".
  - ⑤ ALL FILL MATERIAL BELOW THE BOTTOM OF FOOTING SHALL BE COMPACTED AGGREGATE BEDDING PER SPEC. 3149.2G. MINIMUM COMPACTED AGGREGATE BEDDING DEPTH SHALL BE 1'-0" UNLESS OTHERWISE APPROVED BY THE ENGINEER.
  - ⑥ BOTTOM OF EXCAVATION SHALL BE INSPECTED BY THE ENGINEER IN THE FIELD PRIOR TO PLACING COMPACTED AGGREGATE BEDDING. FOOTING DESIGN BEARING PRESSURE IS 3000 PSF.
  - ⑦ SEE WALL X-SECTIONS SHEETS 48 - 51 FOR TOP OF GROUND SHAPING BEHIND OF NEW WALL. NO NEW EMBANKMENT PLACED SHALL HAVE A SLOPE STEEPER THAN 1:2. SEE GRADING PLAN SHEETS FOR TURF ESTABLISHMENT REQUIRED, OR OTHER SURFACE MATERIAL PLACEMENT.
  - ⑧ 4'-6" MIN. COVER FOR FOOTING AT ALL LOCATIONS.

Plot Date: 04/07/2014 11:22am  
 User: rbenso  
 Xref: 15820292\_3101\_15820292\_100292



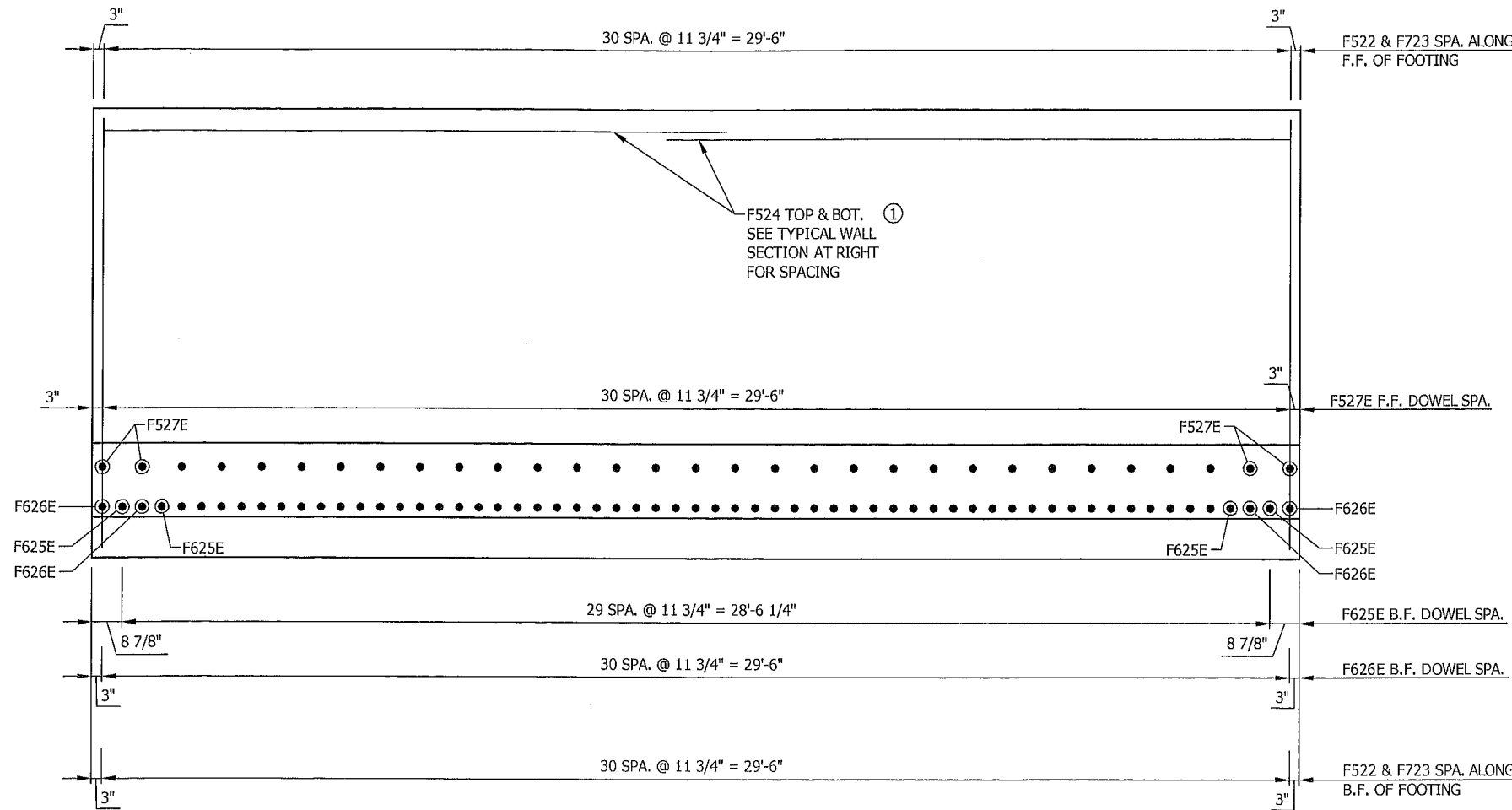
CERTIFIED BY: *Ronald Benson* 3/14/2014  
 LICENSED PROFESSIONAL ENGINEER DATE  
 NAME: RONALD BENSON LIC. NO.: 22737

TITLE: TYPICAL WALL SECTIONS

DES: BLF	DR: AMH	APPROVED:
CHK: AMH	CHK: BLF	
SHEET NO. 35 OF 51 SHEETS		

S.P. 156-127-003

THE CONTRACTOR SHALL VERIFY AND BE RESPONSIBLE FOR ALL DIMENSIONS. DO NOT SCALE. THE CONTRACTOR SHALL VERIFY AND BE RESPONSIBLE FOR ALL DIMENSIONS. DO NOT SCALE. THE CONTRACTOR SHALL VERIFY AND BE RESPONSIBLE FOR ALL DIMENSIONS. DO NOT SCALE.



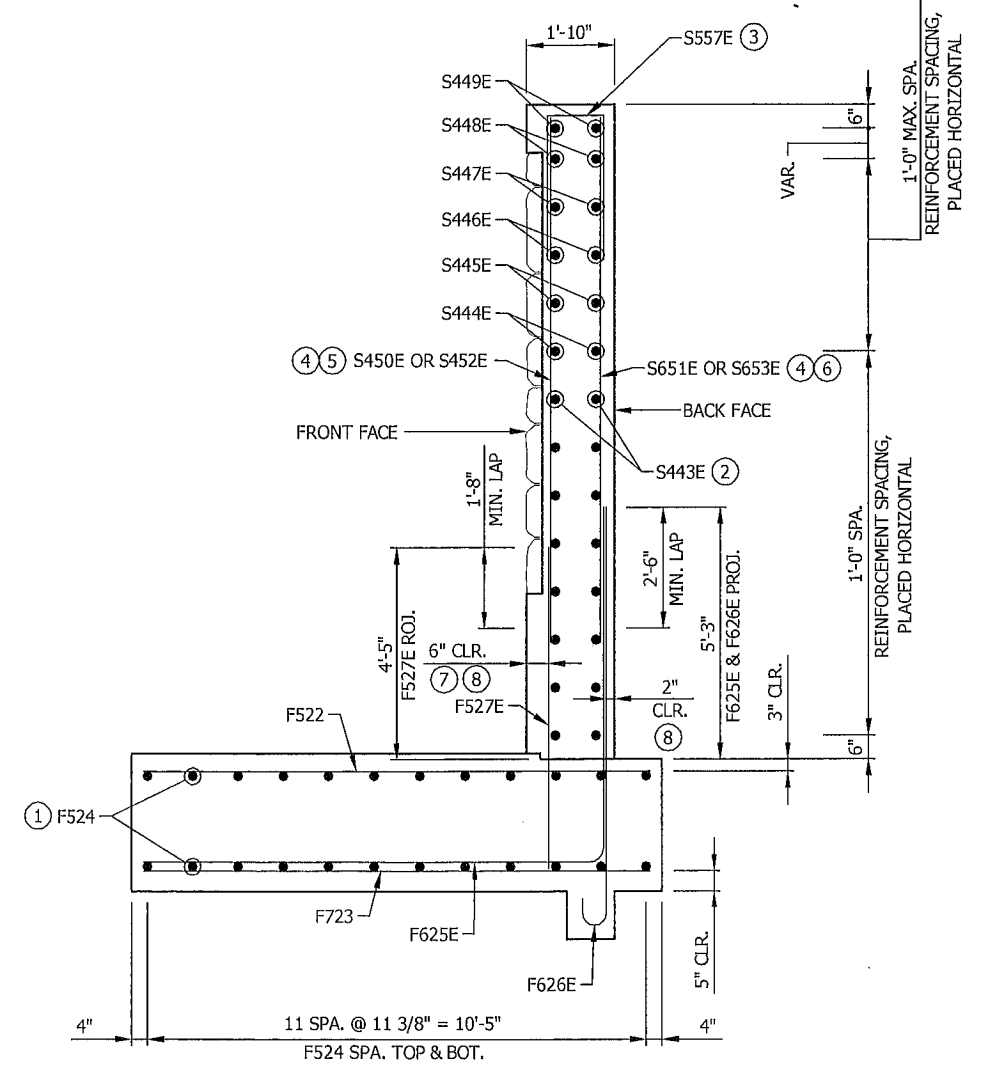
FOOTING PLAN VIEW



PANEL A				
FOOTING REINFORCEMENT				
BAR	NO.	LENGTH	SHAPE	LOCATION
F522	31	10'-7"	STRT.	TOP TRANS.
F723	31	10'-7"	STRT.	BOT. TRANS.
F524	48	16'-3"	STRT.	LONGIT. TOP & BOT.
F625E	30	17'-2"	BENT	B.F. DOWEL
F626E	31	9'-3"	BENT	B.F. DOWEL
F527E	31	6'-9"	STRT.	F.F. DOWEL
STEM REINFORCEMENT				
BAR	NO.	LENGTH	SHAPE	LOCATION
S443E	16	29'-6"	STRT.	HORIZ. E.F.
S444E	2	28'-2"	STRT.	HORIZ. E.F.
S445E	2	26'-9"	STRT.	HORIZ. E.F.
S446E	2	25'-3"	STRT.	HORIZ. E.F.
S447E	2	18'-9"	STRT.	HORIZ. E.F.
S448E	2	8'-8"	STRT.	HORIZ. E.F.
S449E	2	30'-7"	BENT	HORIZ. E.F.
S450E	5	7'-7"	STRT.	F.F. VERT.
S651E	10	7'-7"	STRT.	B.F. VERT.
S452E	26	10'-11"	STRT.	F.F. VERT.
S653E	51	10'-11"	STRT.	B.F. VERT.
S557E	31	7'-2"	BENT	TOP OF STEM TIE

CONCRETE VOLUME PANEL A	
1A43	36 CU. YD.
3Y43	23 CU. YD.

- ⑨ CONCRETE VOLUME SHOWN IS TO STRUCTURAL FACE AND DOES NOT INCLUDE CONCRETE VOLUME WITHIN THE FORMLINER.



NOTES:

- TYPICAL FOOTING LONGITUDINAL REINFORCEMENT UNLESS NOTED OTHERWISE. TWO BARS PER LINE WITH 2'-11" MIN. LAP.
- TYPICAL HORIZONTAL STEM REINFORCEMENT UNLESS NOTED OTHERWISE.
- PLACE 1-S557E WITH EACH S450E & S452E. PULL UP TO 2" CLEAR. REINFORCEMENT SHALL BE CAREFULLY PLACED TO AVOID INTERFERENCE WITH DRILLING HOLES FOR RAILING ANCHOR BOLTS.
- PLACE SUCH THAT MIN. LAP WITH FOOTING DOWEL & 2'-1" LAP WITH S557E IS PROVIDED.
- PLACE 1-S450E AT EACH F.F. FOOTING DOWEL (F527E) BEGINNING AT SOUTH END OF WALL (5 BARS TOTAL). PLACE 1-S452E AT EACH REMAINING F.F. FOOTING DOWEL (F527E; 26 BARS TOTAL).
- PLACE 1-S651E AT EACH B.F. FOOTING DOWEL (INCLUDING BOTH F625E & F626E) BEGINNING AT SOUTH END OF WALL (10 BARS TOTAL). PLACE 1-S653E AT EACH REMAINING B.F. FOOTING DOWEL (INCLUDING BOTH F625E & F626E; 51 BARS TOTAL).
- 2" CLEAR TO STRUCTURAL FACE AT FORMLINER
- BAR LOCATION OF FOOTING DOWELS AND VERTICAL STEM REINFORCEMENT.

Plot Date: 04/14/2014 8:45:27 AM  
 Plot Path: \\S:\Projects\156-127-003\Drawings\156-127-003-36.dwg  
 Xref(s): 156-127-003-1.dwg, 156-127-003-2.dwg, 156-127-003-3.dwg



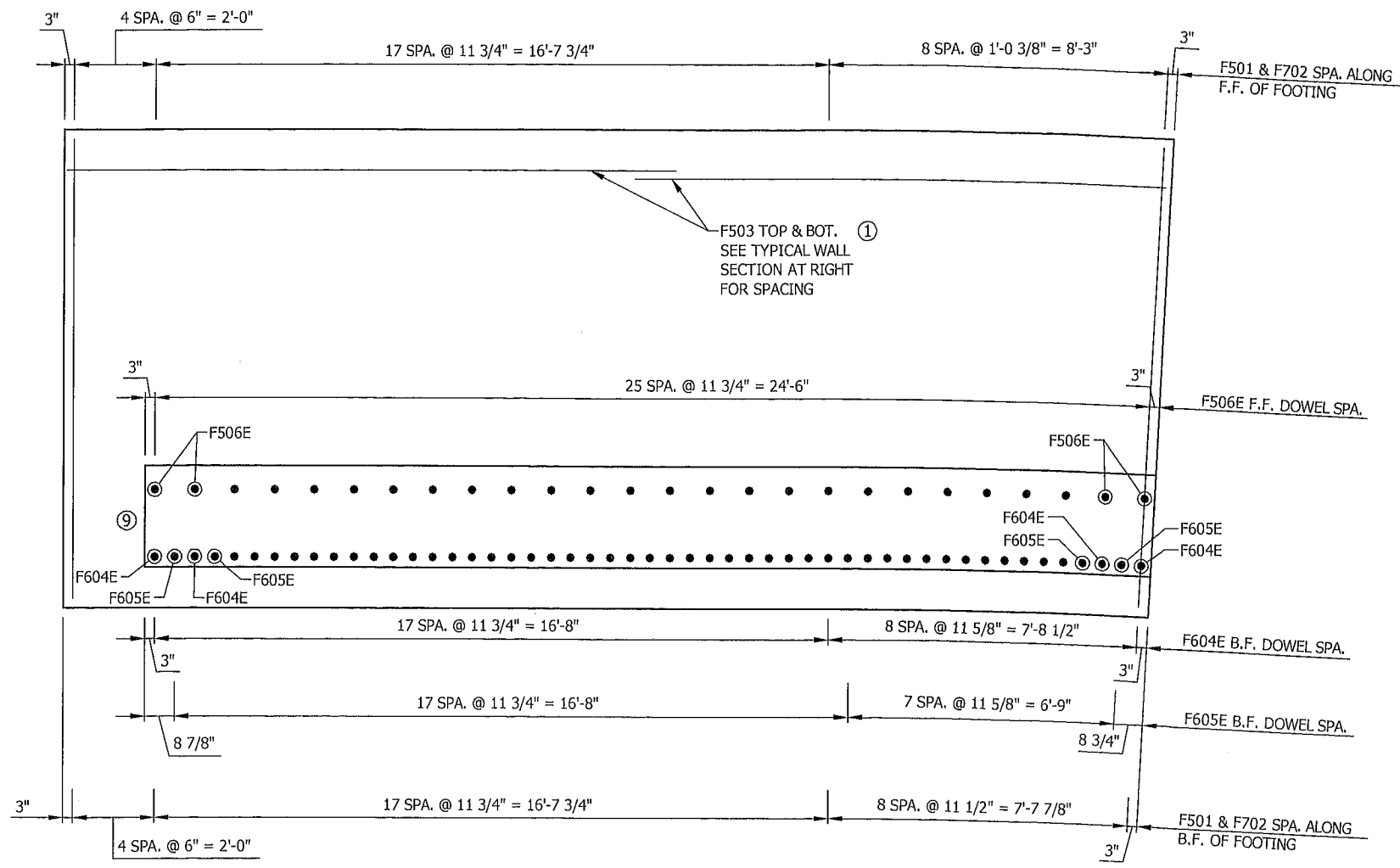
CERTIFIED BY: *Ronald Benson* 3/14/2014  
 LICENSED PROFESSIONAL ENGINEER DATE  
 NAME: RONALD BENSON LIC. NO.: 22737

TITLE: PANEL A DETAILS

DES: BLF DR: AMH APPROVED:  
 CHK: AMH CHK: BLF  
 SHEET NO. 36 OF 51 SHEETS

S.P. 156-127-003

THE CONTRACTOR SHALL VERIFY AND BE RESPONSIBLE FOR ALL DIMENSIONS AND SCALES. THE CONTRACTOR SHALL VERIFY ALL DIMENSIONS AND SCALES. THE CONTRACTOR SHALL VERIFY ALL DIMENSIONS AND SCALES. THE CONTRACTOR SHALL VERIFY ALL DIMENSIONS AND SCALES. THE CONTRACTOR SHALL VERIFY ALL DIMENSIONS AND SCALES.

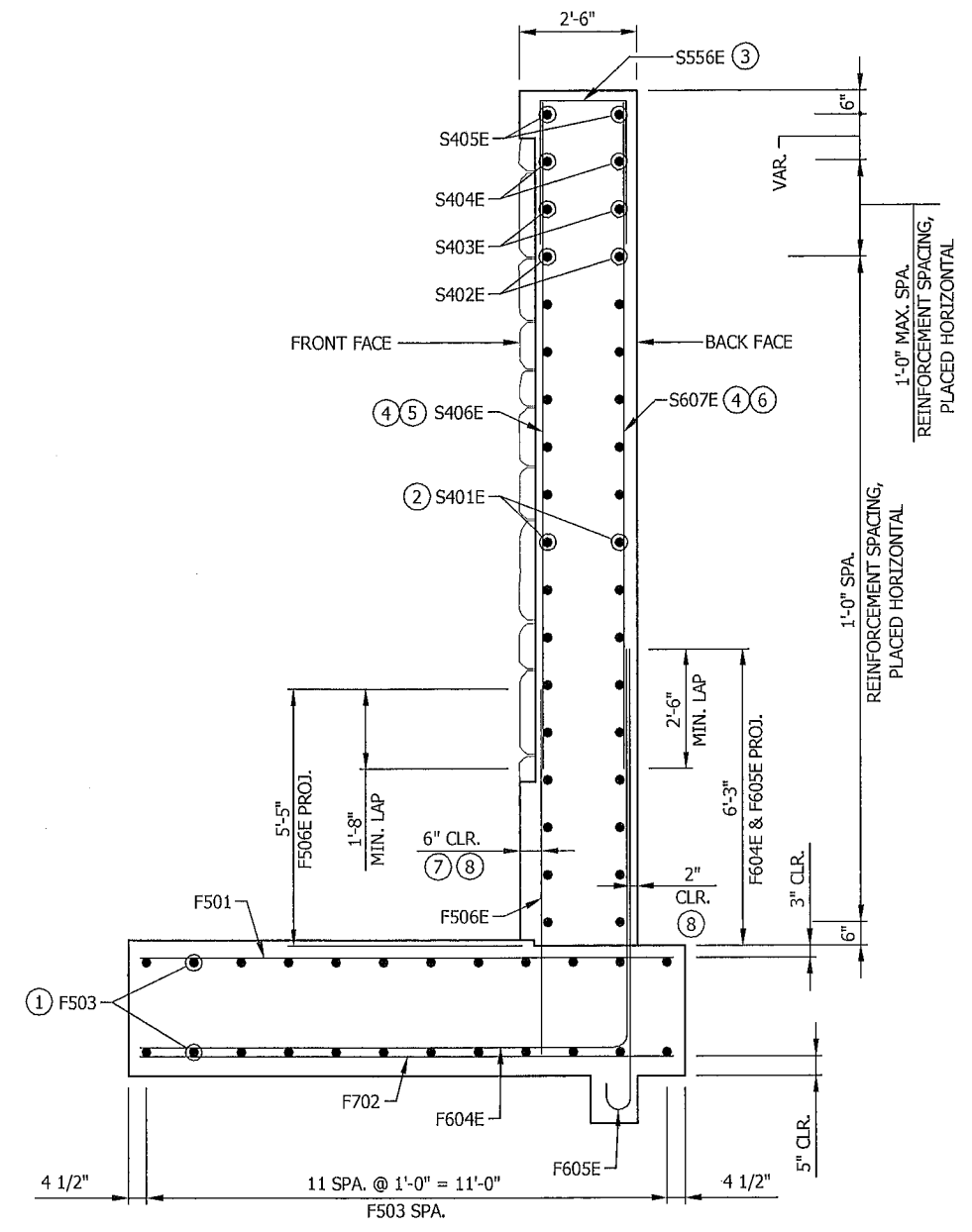


FOOTING PLAN VIEW

PANEL B				
FOOTING REINFORCEMENT				
BAR	NO.	LENGTH	SHAPE	LOCATION
F501	30	11'-3"	STRT.	TOP TRANS.
F702	30	11'-3"	STRT.	BOT. TRANS.
F503	48	15'-5"	STRT.	LONGIT. TOP & BOT.
F604E	26	18'-10"	BENT	B.F. DOWEL
F605E	25	10'-3"	BENT	B.F. DOWEL
F506E	26	7'-9"	STRT.	F.F. DOWEL
F541	24	8'-8"	BENT	STEP REINF.
F643	2	3'-9"	BENT	B.F. DOWEL
STEM REINFORCEMENT				
BAR	NO.	LENGTH	SHAPE	LOCATION
S401E	28	24'-1"	STRT.	HORIZ. E.F.
S402E	2	23'-1"	STRT.	HORIZ. E.F.
S403E	2	20'-6"	STRT.	HORIZ. E.F.
S404E	2	14'-2"	STRT.	HORIZ. E.F.
S405E	2	25'-0"	BENT	HORIZ. E.F.
S406E	26	14'-0"	STRT.	F.F. VERT.
S607E	51	14'-0"	STRT.	B.F. VERT.
S554E	14	8'-2"	BENT	CORK & DOWEL JOINT TIE
S555E	32	6'-0"	STRT.	CONST. JOINT
S556E	26	7'-10"	BENT	TOP OF STEM TIE

CONCRETE VOLUME PANEL B	
1A43	35 CU. YD.
3Y43	36 CU. YD.

⑩ CONCRETE VOLUME SHOWN IS TO STRUCTURAL FACE AND DOES NOT INCLUDE CONCRETE VOLUME WITHIN THE FORMLINER.



TYPICAL WALL SECTION VIEW

- NOTES:
- ① TYPICAL FOOTING LONGITUDINAL REINFORCEMENT UNLESS NOTED OTHERWISE. TWO BARS PER LINE WITH 2'-11" MIN. LAP.
  - ② TYPICAL HORIZONTAL STEM REINFORCEMENT UNLESS NOTED OTHERWISE.
  - ③ PLACE 1-S556E WITH EACH S406E; PULL UP TO 2" CLEAR. REINFORCEMENT SHALL BE CAREFULLY PLACED TO AVOID INTERFERENCE WITH DRILLING HOLES FOR RAILING ANCHOR BOLTS.
  - ④ PLACE SUCH THAT MIN. LAP WITH FOOTING DOWEL & 2'-1" LAP WITH S556E IS PROVIDED.
  - ⑤ PLACE 1-S406E AT EACH F.F. FOOTING DOWEL (F506E; 26 BARS TOTAL).
  - ⑥ PLACE 1-S607E AT EACH B.F. FOOTING DOWEL (INCLUDING BOTH F604E & F605E; 51 BARS, TOTAL).
  - ⑦ 2" CLEAR TO STRUCTURAL FACE AT FORMLINER.
  - ⑧ BAR LOCATIONS OF FOOTING DOWELS AND VERTICAL STEM REINFORCEMENT.
  - ⑨ SEE FOOTING STEP DETAIL SHEET 45.

S.P. 156-127-003

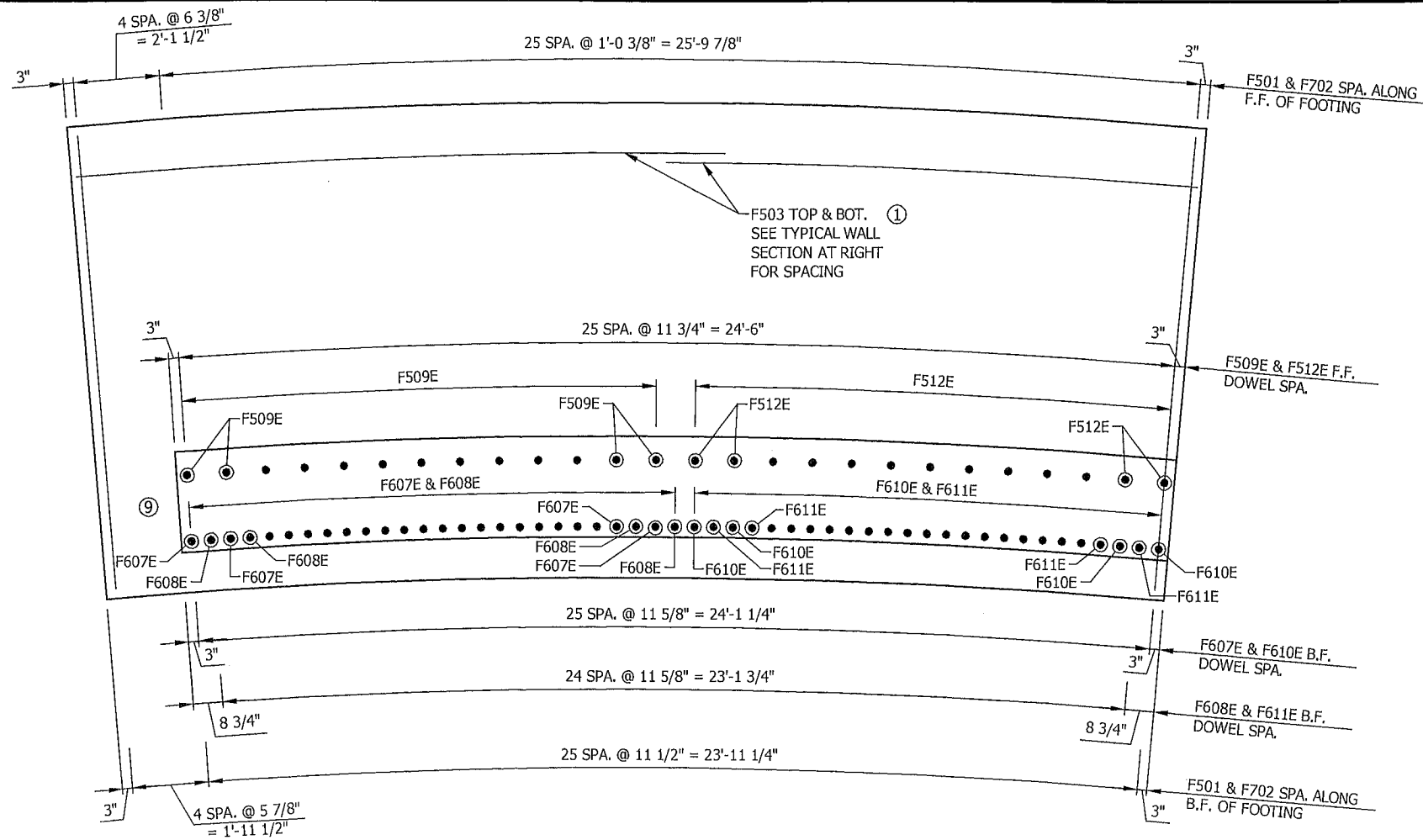


CERTIFIED BY: *Ronald Benson* 3/14/2014  
 LICENSED PROFESSIONAL ENGINEER DATE  
 NAME: RONALD BENSON LIC. NO.: 22737

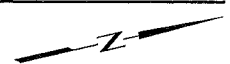
TITLE: PANEL B DETAILS  
 DES: BLF DR: AMH APPROVED:  
 CHK: AMH CHK: BLF  
 SHEET NO. 37 OF 51 SHEETS

Plot Date: 04/07/2014 10:55am  
 User: rbenso\156127003 (CAD User) 156127003.dwg  
 XREF: 156127003\_1.rvt, 156127003\_1.rvt

THE CONTRACTOR SHALL VERIFY AND BE RESPONSIBLE FOR ALL DIMENSIONS. DO NOT SCALE. THE CONTRACTOR SHALL VERIFY AND BE RESPONSIBLE FOR ALL DIMENSIONS. DO NOT SCALE. THE CONTRACTOR SHALL VERIFY AND BE RESPONSIBLE FOR ALL DIMENSIONS. DO NOT SCALE.



FOOTING PLAN VIEW

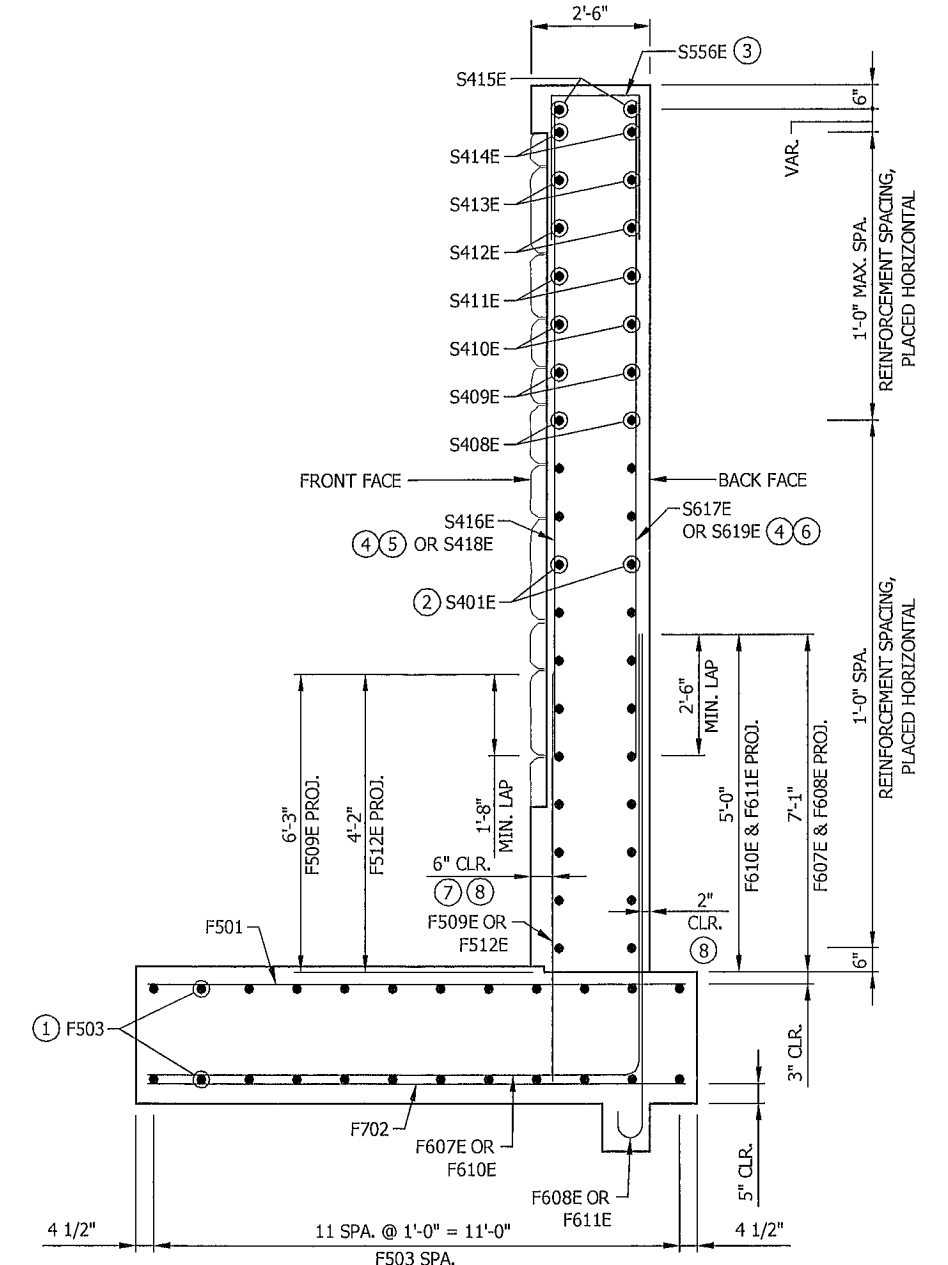


PANEL C				
FOOTING REINFORCEMENT				
BAR	NO.	LENGTH	SHAPE	LOCATION
F501	30	11'-3"	STRT.	TOP TRANS.
F702	36	11'-3"	STRT.	BOT. TRANS. & STEP FTG.
F503	48	15'-5"	STRT.	LONGIT. TOP & BOT.
F607E	13	19'-8"	BENT	B.F. DOWEL
F608E	13	11'-1"	BENT	B.F. DOWEL
F509E	13	8'-7"	STRT.	F.F. DOWEL
F610E	13	17'-7"	BENT	B.F. DOWEL
F611E	12	9'-0"	BENT	B.F. DOWEL
F512E	13	6'-6"	STRT.	F.F. DOWEL
F542	24	10'-3"	BENT	STEP REINF.
F643	2	3'-9"	BENT	B.F. DOWEL
STEM REINFORCEMENT				
BAR	NO.	LENGTH	SHAPE	LOCATION
S401E	22	24'-1"	STRT.	HORIZ. E.F.
S408E	2	18'-10"	STRT.	HORIZ. E.F.
S409E	2	14'-7"	STRT.	HORIZ. E.F.
S410E	2	12'-0"	STRT.	HORIZ. E.F.
S411E	2	9'-5"	STRT.	HORIZ. E.F.
S412E	2	6'-9"	STRT.	HORIZ. E.F.
S413E	2	4'-2"	STRT.	HORIZ. E.F.
S414E	2	1'-7"	STRT.	HORIZ. E.F.
S415E	2	25'-5"	BENT	HORIZ. E.F.
S416E	13	13'-7"	STRT.	F.F. VERT.
S617E	26	13'-7"	STRT.	B.F. VERT.
S418E	13	10'-9"	STRT.	F.F. VERT.
S619E	25	10'-9"	STRT.	B.F. VERT.
S554E	17	8'-2"	BENT	CORK & DOWEL JOINT TIE
S556E	26	7'-10"	BENT	TOP OF STEM TIE

CONCRETE VOLUME  
PANEL C

1A43	36 CU. YD.
3Y43	31 CU. YD.

CONCRETE VOLUME SHOWN IS TO STRUCTURAL FACE AND DOES NOT INCLUDE CONCRETE VOLUME WITHIN THE FORMLINER.



TYPICAL WALL SECTION VIEW

- NOTES:
- TYPICAL FOOTING LONGITUDINAL REINFORCEMENT UNLESS NOTED OTHERWISE. TWO BARS PER LINE WITH 2'-11" MIN. LAP.
  - TYPICAL HORIZONTAL STEM REINFORCEMENT UNLESS NOTED OTHERWISE.
  - PLACE 1-S556E WITH EACH S416E & S418E. PULL UP TO 2" CLEAR.
  - PLACE SUCH THAT MIN. LAP WITH FOOTING DOWEL & 2'-1" LAP WITH S556E IS PROVIDED.
  - PLACE 1-S416E AT EACH F509E F.F. FOOTING DOWEL (13 BARS TOTAL). PLACE 1-S418E AT EACH F512E F.F. FOOTING DOWEL (13 BARS TOTAL).
  - PLACE 1-S617E AT EACH F607E & F608E B.F. FOOTING DOWEL (26 BARS TOTAL). PLACE 1-S619E AT EACH F610E & F611E B.F. FOOTING DOWEL (25 BARS TOTAL).
  - 2" CLEAR TO STRUCTURAL FACE AT FORMLINER.
  - BAR LOCATIONS OF FOOTING DOWELS AND VERTICAL STEM REINFORCEMENT.
  - SEE FOOTING STEP DETAIL SHEET 45.

S.P. 156-127-003



CERTIFIED BY: *Ronald Benson* 3/14/2014  
 LICENSED PROFESSIONAL ENGINEER DATE  
 NAME: RONALD BENSON LIC. NO.: 22737

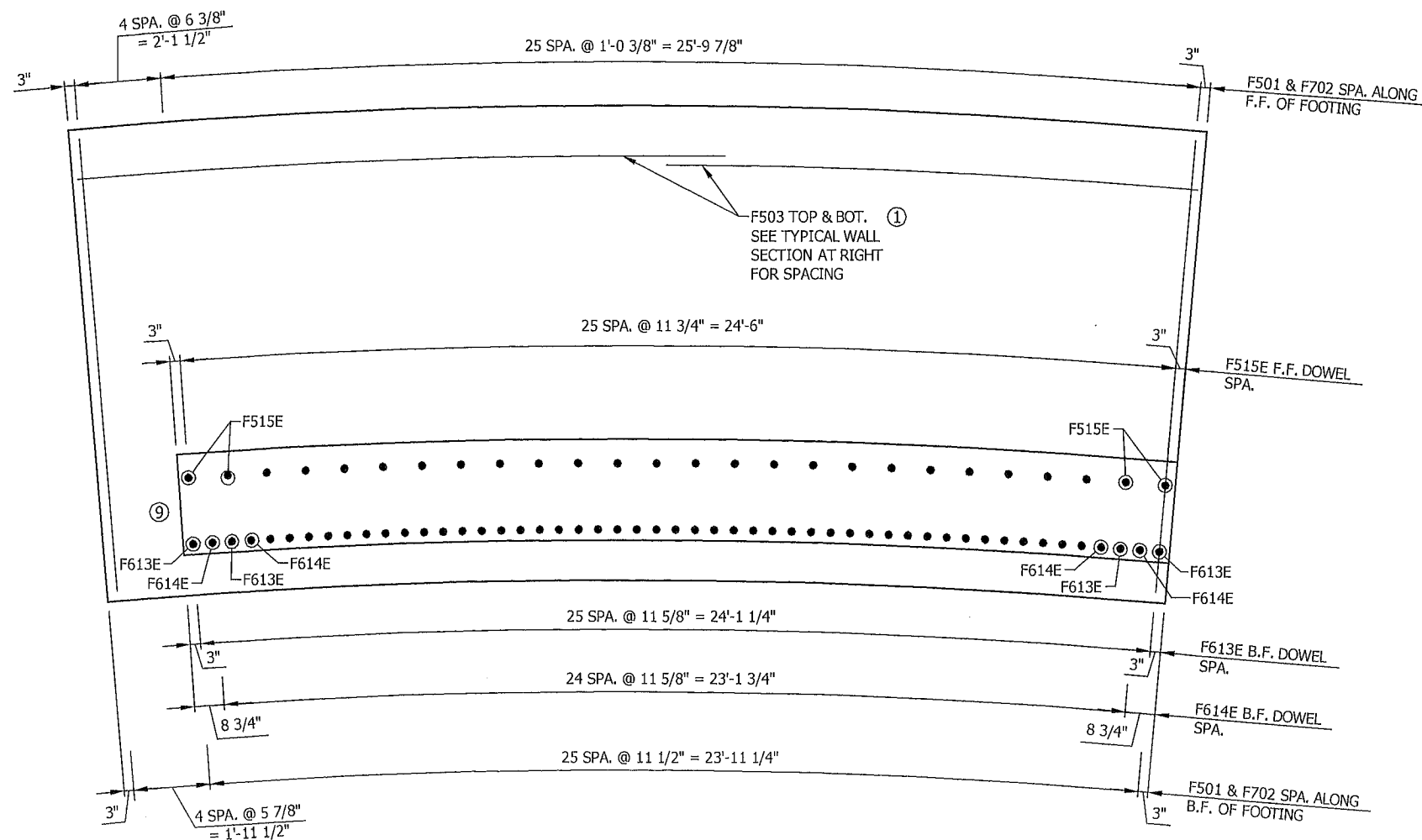
TITLE: PANEL C DETAILS

DES: BLF DR: AMH APPROVED:  
 CHK: AMH CHK: BLF

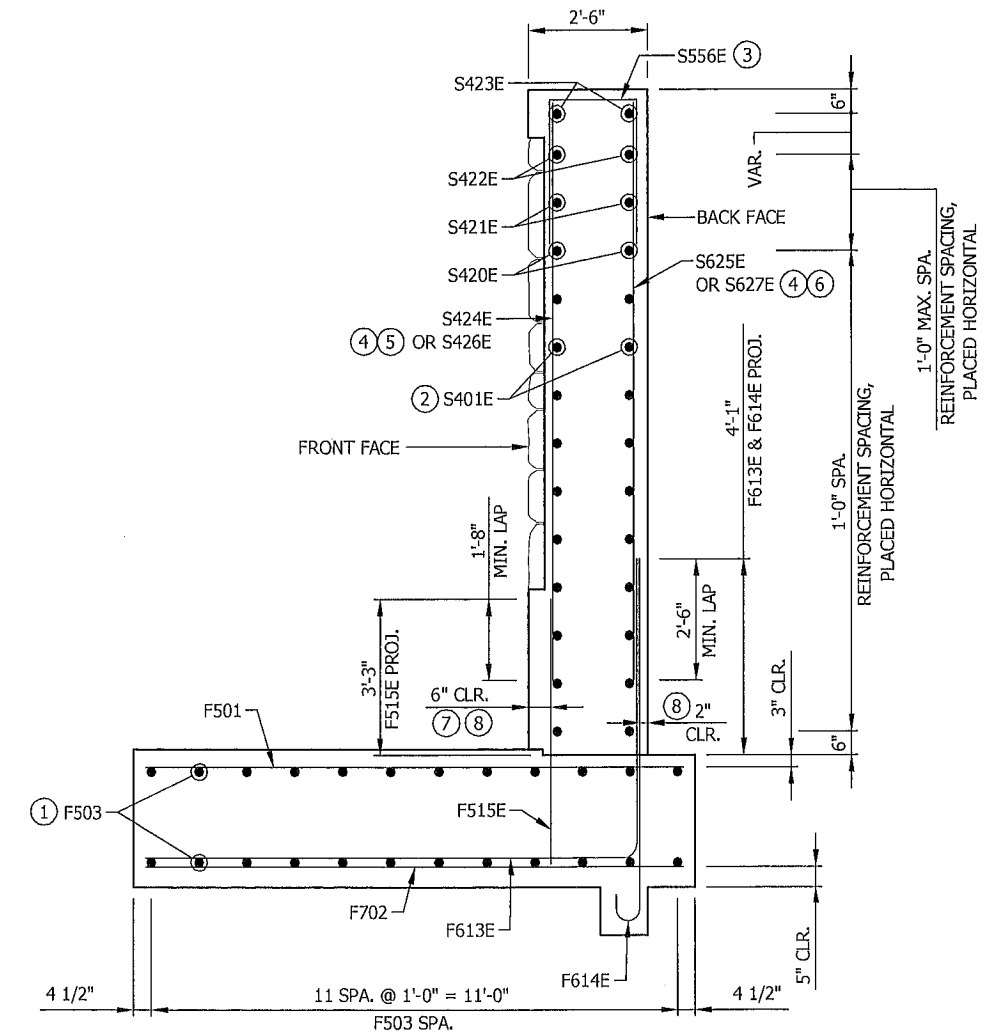
SHEET NO. 38 OF 51 SHEETS

Plot Date: 04/07/2014 10:53am  
 User: J:\Projects\156-127-003\156-127-003.dwg  
 Xref: 156-127-003\_1.dwg, 156-127-003\_2.dwg, 156-127-003\_3.dwg

THE CONTRACTOR SHALL VERIFY AND BE RESPONSIBLE FOR ALL DIMENSIONS. DO NOT SCALE. THE CONTRACTOR SHALL VERIFY AND BE RESPONSIBLE FOR ALL DIMENSIONS. DO NOT SCALE. THE CONTRACTOR SHALL VERIFY AND BE RESPONSIBLE FOR ALL DIMENSIONS. DO NOT SCALE.



FOOTING PLAN VIEW



TYPICAL WALL SECTION VIEW

PANEL D				
FOOTING REINFORCEMENT				
BAR	NO.	LENGTH	SHAPE	LOCATION
F501	30	11'-3"	STRT.	TOP TRANS.
F702	30	11'-3"	STRT.	BOT. TRANS.
F503	48	15'-5"	STRT.	LONGIT. TOP & BOT.
F613E	26	16'-8"	BENT	B.F. DOWEL
F614E	25	8'-1"	BENT	B.F. DOWEL
F515E	26	5'-7"	STRT.	F.F. DOWEL
F541	24	8'-8"	BENT	STEP REINF.
F643	2	3'-9"	BENT	B.F. DOWEL
STEM REINFORCEMENT				
BAR	NO.	LENGTH	SHAPE	LOCATION
S401E	20	24'-1"	STRT.	HORIZ. E.F.
S420E	2	23'-4"	STRT.	HORIZ. E.F.
S421E	2	15'-9"	STRT.	HORIZ. E.F.
S422E	2	8'-1"	STRT.	HORIZ. E.F.
S423E	2	24'-8"	STRT.	HORIZ. E.F.
S424E	13	12'-0"	STRT.	F.F. VERT.
S625E	26	12'-0"	STRT.	B.F. VERT.
S426E	13	10'-4"	STRT.	F.F. VERT.
S627E	25	10'-4"	STRT.	B.F. VERT.
S554E	10	8'-2"	BENT	CORK & DOWEL JOINT TIE
S555E	28	6'-0"	STRT.	CONST. JOINT
S556E	26	7'-10"	BENT	TOP OF STEM TIE

CONCRETE VOLUME PANEL D	
1A43	35 CU. YD.
3Y43	27 CU. YD.

(10) CONCRETE VOLUME SHOWN IS TO STRUCTURAL FACE AND DOES NOT INCLUDE CONCRETE VOLUME WITHIN THE FORMLINER.

NOTES:

- (1) TYPICAL FOOTING LONGITUDINAL REINFORCEMENT UNLESS NOTED OTHERWISE. TWO BARS PER LINE WITH 2'-11" MIN. LAP.
- (2) TYPICAL HORIZONTAL STEM REINFORCEMENT UNLESS NOTED OTHERWISE.
- (3) PLACE WITH 1-S556E WITH EACH S424E & S426E. PULL UP TO 2" CLEAR.
- (4) PLACE SUCH THAT MIN. LAP WITH FOOTING DOWEL & 2'-1" LAP WITH S556E IS PROVIDED.
- (5) PLACE 1-S424E AT EACH F.F. FOOTING DOWEL (F515E) BEGINNING AT SOUTH END OF WALL (13 BARS TOTAL). PLACE 1-S426E AT EACH REMAINING F.F. FOOTING DOWEL (F515E; 13 BARS TOTAL).
- (6) PLACE 1-S625E AT EACH B.F. FOOTING DOWEL (INCLUDING BOTH F613E & F614E) BEGINNING AT SOUTH END OF WALL (26 BARS TOTAL). PLACE 1-S627E AT EACH REMAINING B.F. FOOTING DOWEL (INCLUDING BOTH F613E & F614E; 25 BARS TOTAL).
- (7) 2" CLEAR TO STRUCTURAL FACE AT FORMLINER.
- (8) BAR LOCATIONS OF FOOTING DOWELS AND VERTICAL STEM REINFORCEMENT.
- (9) SEE FOOTING STEP DETAIL SHEET 45.

Plot Date: 04/04/2014 8:48:00am  
 Xref: 128822521\_3171\_128822521\_301.dwg  
 Xref: 128822521\_3171\_128822521\_301.dwg



CERTIFIED BY: *Ronald Benson* 3/14/2014  
 LICENSED PROFESSIONAL ENGINEER DATE  
 NAME: RONALD BENSON LIC. NO.: 22737

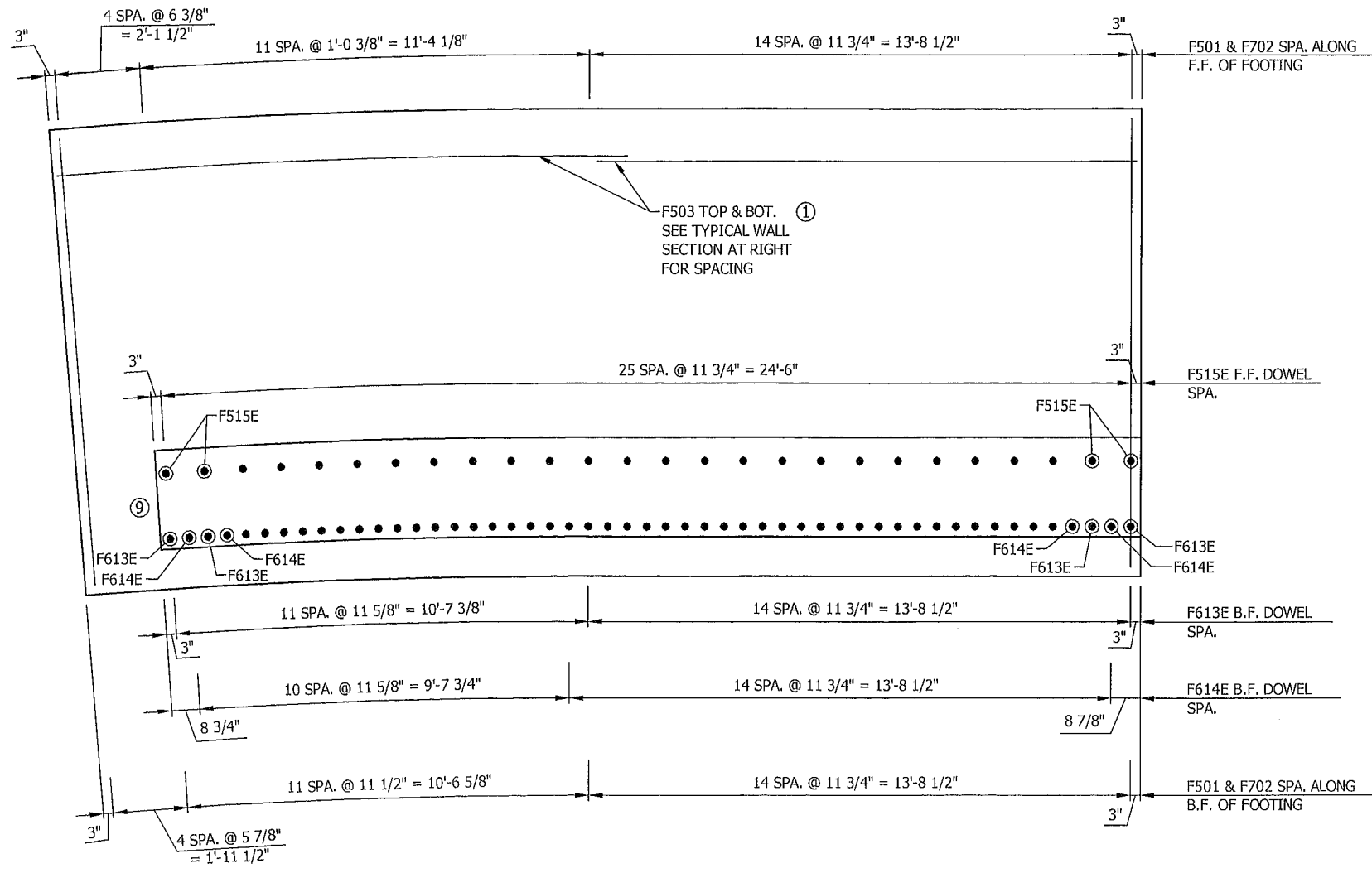
TITLE: PANEL D DETAILS

DES: BLF	DR: AMH	APPROVED:
CHK: AMH	CHK: BLF	

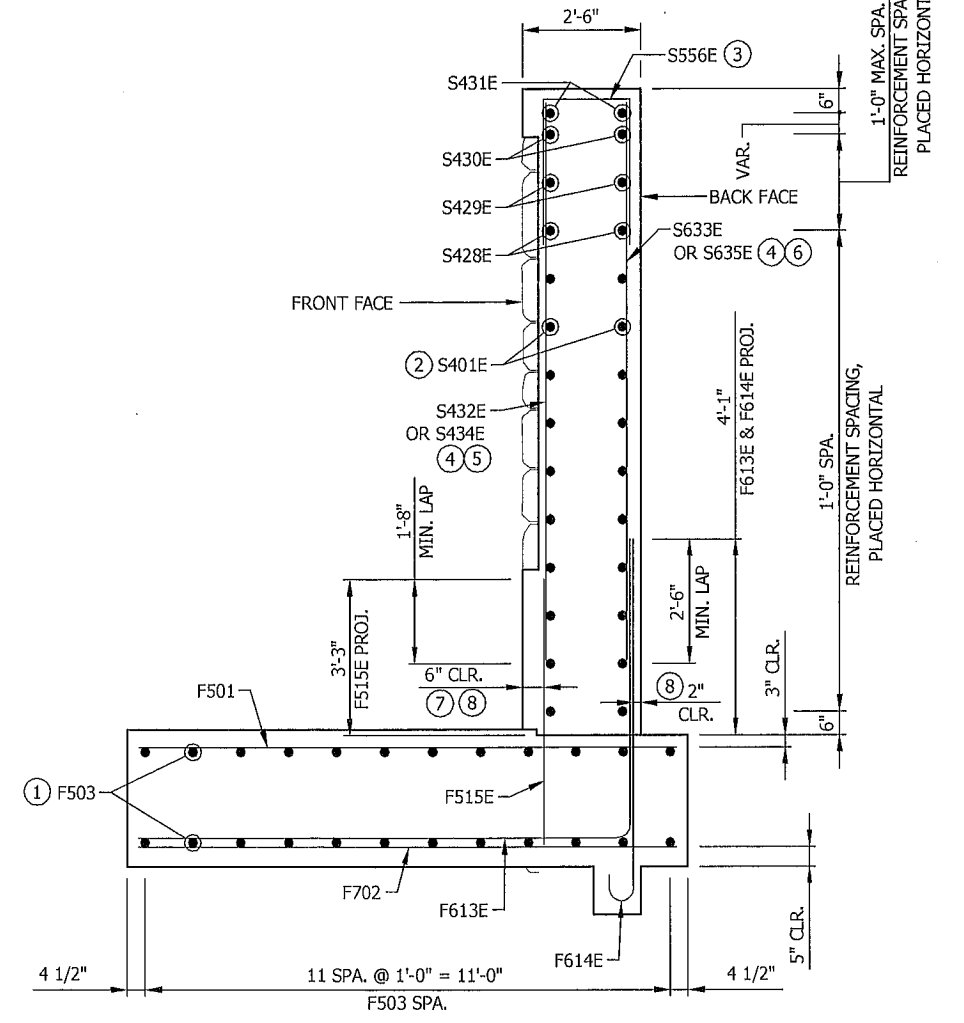
SHEET NO. 39 OF 51 SHEETS

S.P. 156-127-003

THE CONTRACTOR SHALL VERIFY AND BE RESPONSIBLE FOR ALL DIMENSIONS ON THIS DRAWING. ANY ERRORS OR OMISSIONS SHALL BE REPORTED TO STANTEC WITHOUT DELAY. THIS DRAWING IS THE PROPERTY OF STANTEC AND IS NOT TO BE REPRODUCED OR COPIED FOR ANY PURPOSE OTHER THAN THAT AUTHORIZED BY STANTEC.



FOOTING PLAN VIEW



TYPICAL WALL SECTION VIEW

PANEL E				
FOOTING REINFORCEMENT				
BAR	NO.	LENGTH	SHAPE	LOCATION
F501	30	11'-3"	STRT.	TOP TRANS.
F702	30	11'-3"	STRT.	BOT. TRANS.
F503	48	15'-5"	STRT.	LONGIT. TOP & BOT.
F613E	26	16'-8"	BENT	B.F. DOWEL
F614E	25	8'-1"	BENT	B.F. DOWEL
F515E	26	5'-7"	STRT.	F.F. DOWEL
F541	24	8'-8"	BENT	STEP REINF.
F643	2	3'-9"	BENT	B.F. DOWEL
STEM REINFORCEMENT				
BAR	NO.	LENGTH	SHAPE	LOCATION
S401E	20	24'-1"	STRT.	HORIZ. E.F.
S428E	2	20'-3"	STRT.	HORIZ. E.F.
S429E	2	12'-8"	STRT.	HORIZ. E.F.
S430E	2	5'-0"	STRT.	HORIZ. E.F.
S431E	2	24'-8"	STRT.	HORIZ. E.F.
S432E	13	11'-7"	STRT.	F.F. VERT.
S633E	26	11'-7"	STRT.	B.F. VERT.
S434E	13	9'-11"	STRT.	F.F. VERT.
S635E	25	9'-11"	STRT.	B.F. VERT.
S554E	13	8'-2"	BENT	CORK & DOWEL JOINT TIE
S556E	26	7'-10"	BENT	TOP OF STEM TIE

CONCRETE VOLUME PANEL E	
1A43	35 CU. YD.
3Y43	26 CU. YD.

(10) CONCRETE VOLUME SHOWN IS TO STRUCTURAL FACE AND DOES NOT INCLUDE CONCRETE VOLUME WITHIN THE FORMLINER.

NOTES:

- (1) TYPICAL FOOTING LONGITUDINAL REINFORCEMENT UNLESS NOTED OTHERWISE. TWO BARS PER LINE WITH 2'-11" MIN. LAP.
- (2) TYPICAL HORIZONTAL STEM REINFORCEMENT UNLESS NOTED OTHERWISE.
- (3) PLACE WITH 1-S556E WITH EACH S432E & S434E. PULL UP TO 2" CLEAR.
- (4) PLACE SUCH THAT MIN. LAP WITH FOOTING DOWEL & 2'-1" LAP WITH S556E IS PROVIDED.
- (5) PLACE 1-S432E AT EACH F.F. FOOTING DOWEL (F515E) BEGINNING AT SOUTH END OF WALL (13 BARS TOTAL). PLACE 1-S434E AT EACH REMAINING F.F. FOOTING DOWEL (F515E; 13 BARS TOTAL).
- (6) PLACE 1-S633E AT EACH B.F. FOOTING DOWEL (INCLUDING BOTH F613E & F614E) BEGINNING AT SOUTH END OF WALL (26 BARS TOTAL). PLACE 1-S635E AT EACH REMAINING B.F. FOOTING DOWEL (INCLUDING BOTH F613E & F614E; 25 BARS TOTAL).
- (7) 2" CLEAR TO STRUCTURAL FACE AT FORMLINER.
- (8) BAR LOCATIONS OF FOOTING DOWELS AND VERTICAL STEM REINFORCEMENT.
- (9) SEE FOOTING STEP DETAIL SHEET 45.

Plot Date: 04/04/2014 8:02am  
 Drawing Name: V:\1930\active\19302521\CAD\DWG\19302521\_001.dwg  
 User: 19302521\3101\_19302521\_001

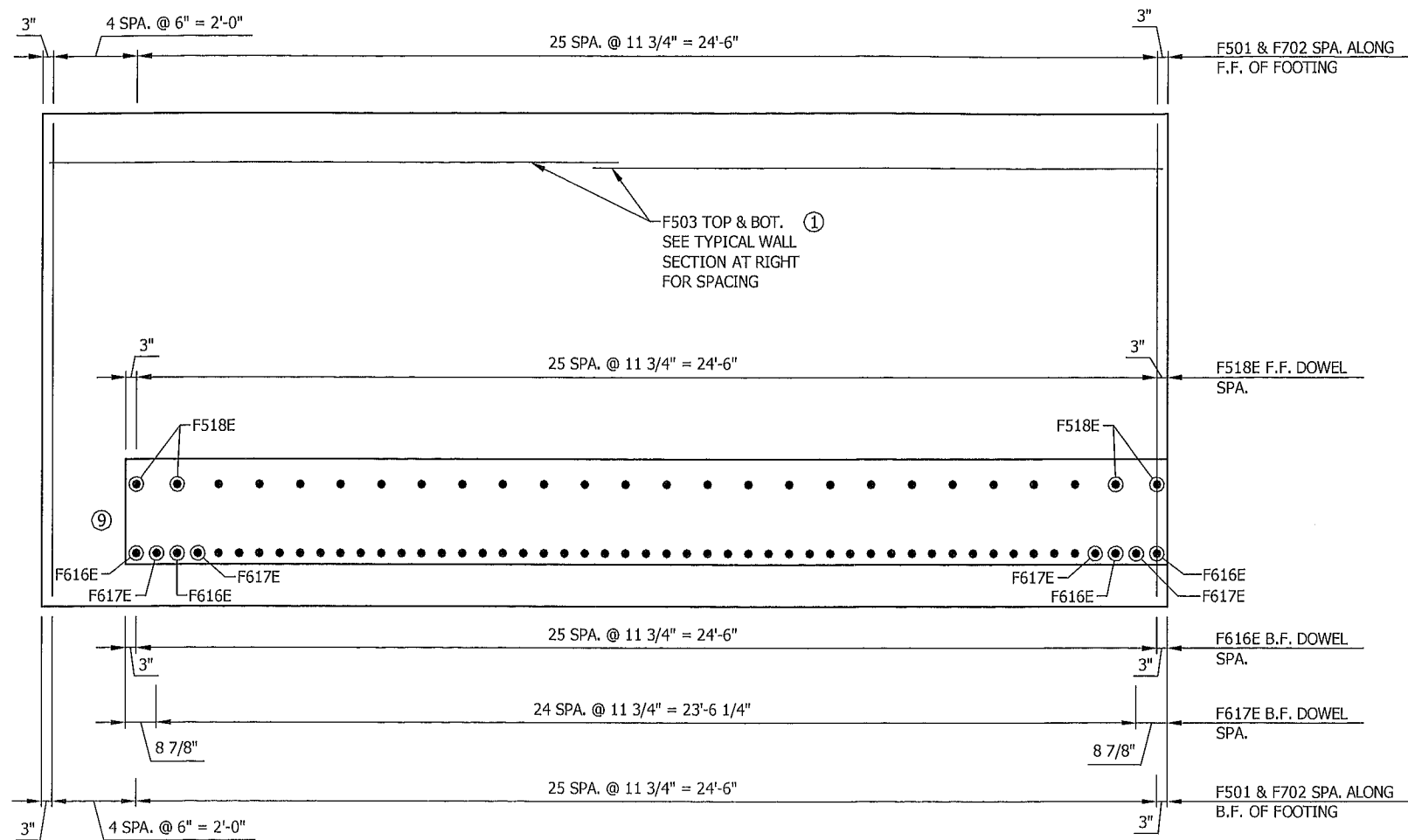


CERTIFIED BY: *Ronald Benson* 3/14/2014  
 LICENSED PROFESSIONAL ENGINEER DATE  
 NAME: RONALD BENSON LIC. NO.: 22737

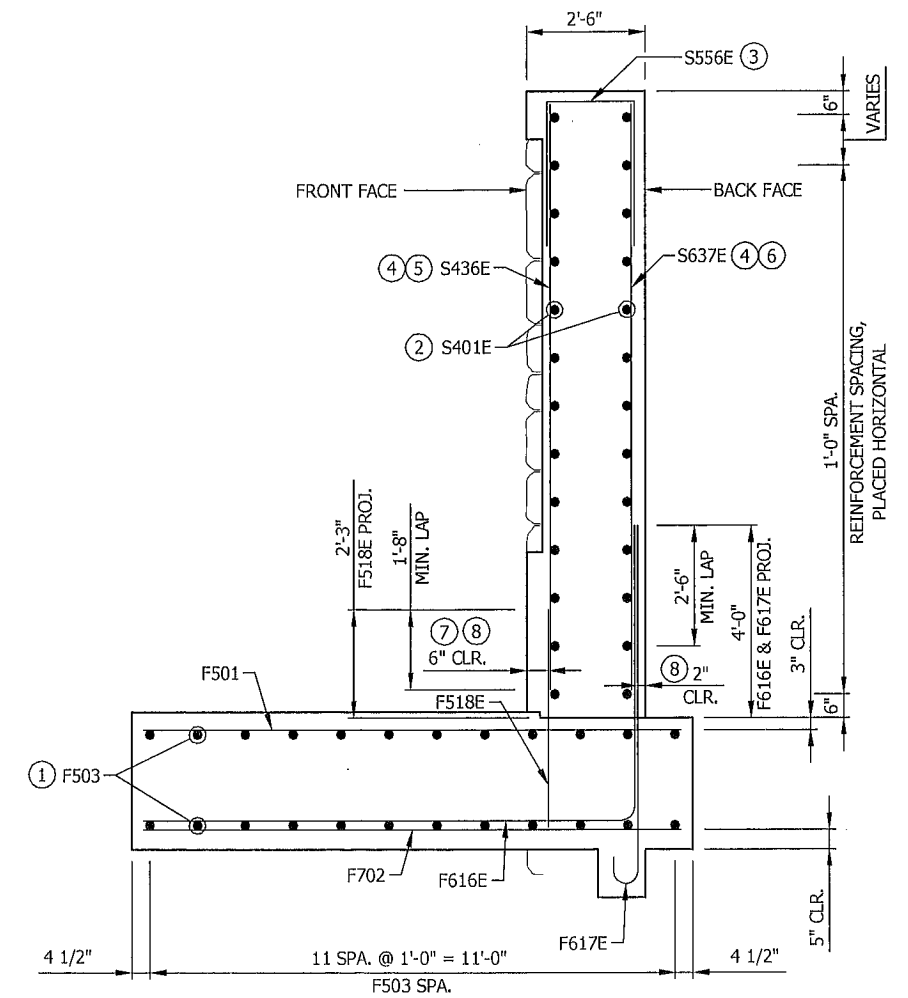
TITLE: PANEL E DETAILS  
 DES: BLF DR: AMH APPROVED:  
 CHK: AMH CHK: BLF

SHEET NO. 40 OF 51 SHEETS  
 S.P. 156-127-003

THE CONTRACTOR SHALL VERIFY AND BE RESPONSIBLE FOR ALL DIMENSIONS. DO NOT SCALE. THE CONTRACTOR SHALL VERIFY ALL DIMENSIONS AND SPACINGS ARE AS SHOWN. THE CONTRACTOR SHALL BE RESPONSIBLE FOR ANY DIMENSIONS OR SPACINGS NOT SHOWN. THE CONTRACTOR SHALL BE RESPONSIBLE FOR ANY DIMENSIONS OR SPACINGS NOT SHOWN.



FOOTING PLAN VIEW



TYPICAL WALL SECTION VIEW

NOTES:

- ① TYPICAL FOOTING LONGITUDINAL REINFORCEMENT UNLESS NOTED OTHERWISE. TWO BARS PER LINE WITH 2'-11" MIN. LAP.
- ② TYPICAL HORIZONTAL STEM REINFORCEMENT UNLESS NOTED OTHERWISE.
- ③ PLACE WITH 1-S556E WITH EACH S436E. PULL UP TO 2" CLEAR.
- ④ PLACE SUCH THAT MIN. LAP WITH FOOTING DOWEL & 2'-1" LAP WITH S556E IS PROVIDED.
- ⑤ PLACE 1-S436E AT EACH F518E F.F. FOOTING DOWEL (26 BARS TOTAL).
- ⑥ PLACE 1-S637E AT EACH F616E & F617E B.F. FOOTING DOWEL (51 BARS TOTAL).
- ⑦ 2" CLEAR TO STRUCTURAL FACE AT FORMLINER.
- ⑧ BAR LOCATIONS OF FOOTING DOWELS AND VERTICAL STEM REINFORCEMENT.
- ⑨ SEE FOOTING STEP DETAIL SHEET 45.

PANEL F				
FOOTING REINFORCEMENT				
BAR	NO.	LENGTH	SHAPE	LOCATION
F501	30	11'-3"	STRT.	TOP TRANS.
F702	30	11'-3"	STRT.	BOT. TRANS.
F503	48	15'-5"	STRT.	LONGIT. TOP & BOT.
F616E	26	16'-7"	BENT	B.F. DOWEL
F617E	25	8'-0"	BENT	B.F. DOWEL
F518E	26	4'-7"	STRT.	F.F. DOWEL
F541	24	8'-8"	BENT	STEP REINF.
F643	2	3'-9"	BENT	B.F. DOWEL
STEM REINFORCEMENT				
BAR	NO.	LENGTH	SHAPE	LOCATION
S401E	26	24'-1"	STRT.	HORIZ. E.F.
S436E	26	12'-2"	STRT.	F.F. VERT.
S637E	51	12'-2"	STRT.	B.F. VERT.
S554E	12	8'-2"	BENT	CORK & DOWEL JOINT TIE
S555E	26	6'-0"	STRT.	CONST. JOINT
S556E	26	7'-10"	BENT	TOP OF STEM TIE

CONCRETE VOLUME PANEL F	
1A43	35 CU. YD.
3Y43	28 CU. YD.

- ⑩ CONCRETE VOLUME SHOWN IS TO STRUCTURAL FACE AND DOES NOT INCLUDE CONCRETE VOLUME WITHIN THE FORMLINER.

Plot Date: 04/04/2014 8:03am  
 Drawing: S.P. 156-127-003  
 User: 156127\_003\_001.dwg  
 Path: \\server\projects\156127\_003\156127\_003.dwg



CERTIFIED BY: Ronald Benson 3/14/2014  
 LICENSED PROFESSIONAL ENGINEER DATE  
 NAME: RONALD BENSON LIC. NO.: 22737

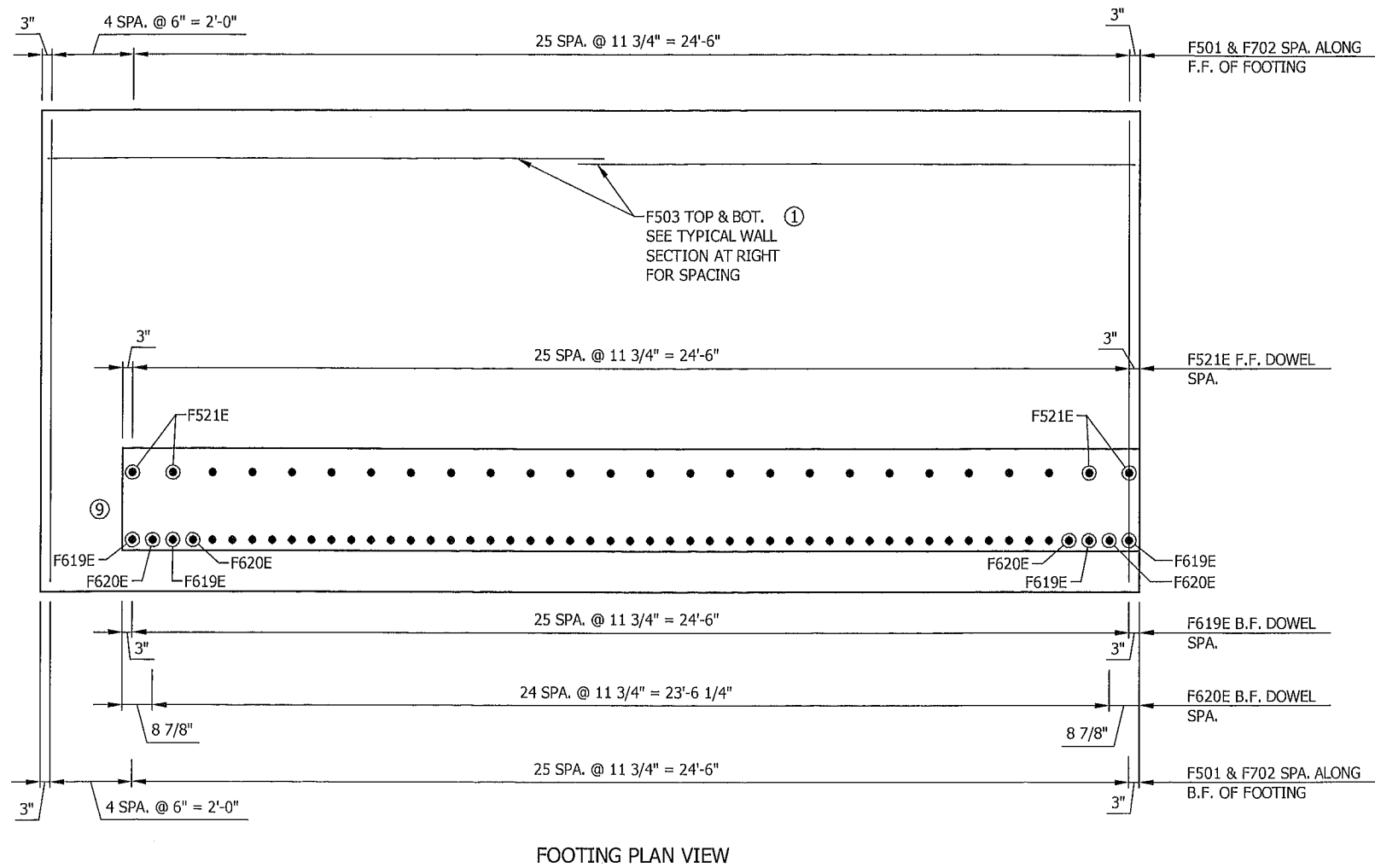
TITLE: PANEL F DETAILS

DES: BLF	DR: AMH	APPROVED:
CHK: AMH	CHK: BLF	

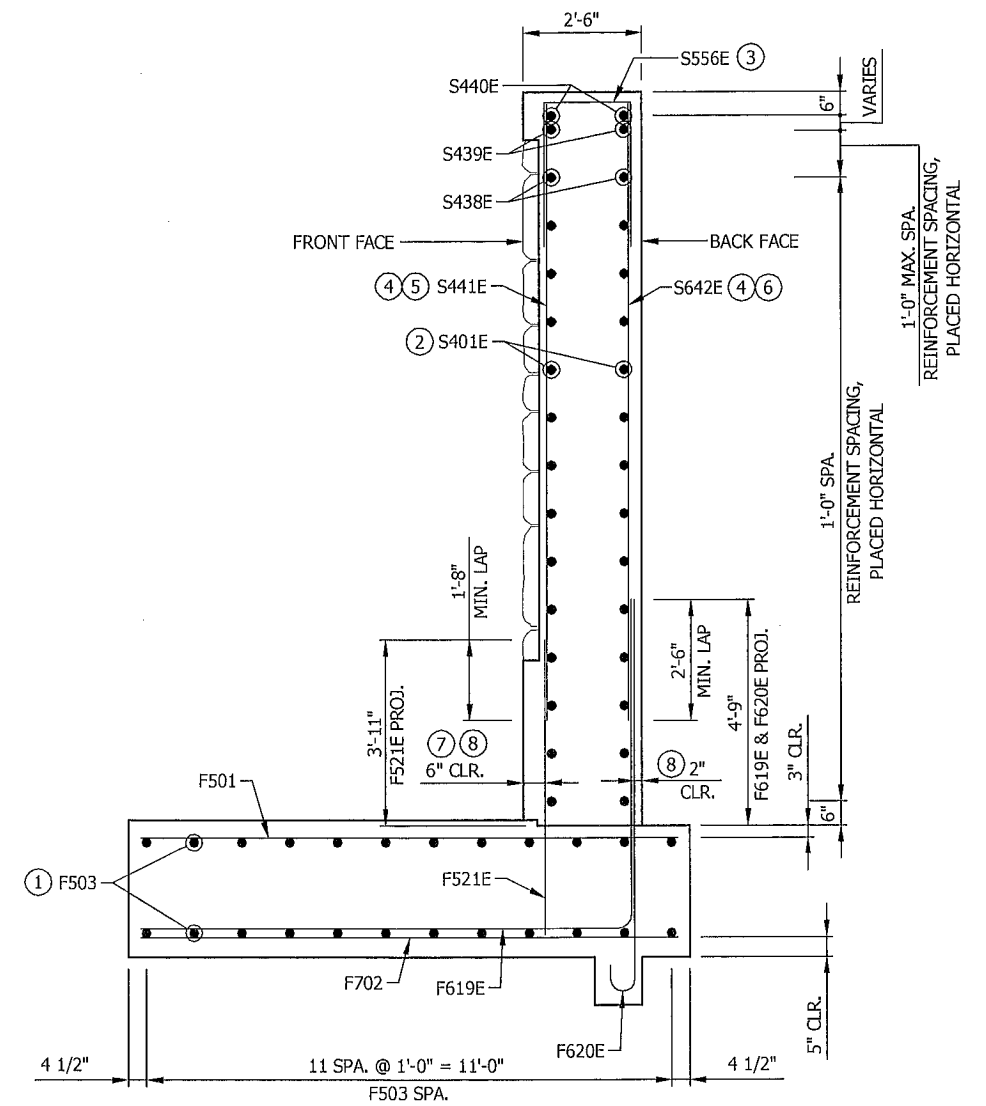
SHEET NO. 41 OF 51 SHEETS

S.P. 156-127-003

THE CONTRACTOR SHALL VERIFY AND BE RESPONSIBLE FOR ALL DIMENSIONS ON THIS SCALE. THE CONTRACTOR SHALL BE RESPONSIBLE FOR OBTAINING ALL NECESSARY PERMITS AND FOR OBTAINING ALL NECESSARY INFORMATION FROM THE OWNER AND ALL AGENCIES INVOLVED IN THE PROJECT. THE CONTRACTOR SHALL BE RESPONSIBLE FOR OBTAINING ALL NECESSARY INFORMATION FROM THE OWNER AND ALL AGENCIES INVOLVED IN THE PROJECT. THE CONTRACTOR SHALL BE RESPONSIBLE FOR OBTAINING ALL NECESSARY INFORMATION FROM THE OWNER AND ALL AGENCIES INVOLVED IN THE PROJECT.



FOOTING PLAN VIEW



TYPICAL WALL SECTION VIEW

NOTES:

- ① TYPICAL FOOTING LONGITUDINAL REINFORCEMENT UNLESS NOTED OTHERWISE. TWO BARS PER LINE WITH 2'-11" MIN. LAP.
- ② TYPICAL HORIZONTAL STEM REINFORCEMENT UNLESS NOTED OTHERWISE.
- ③ PLACE WITH 1-S556E WITH EACH S441E. PULL UP TO 2" CLEAR.
- ④ PLACE SUCH THAT MIN. LAP WITH FOOTING DOWEL & 2'-1" LAP WITH S556E IS PROVIDED.
- ⑤ PLACE 1-S441E AT EACH F521E F.F. FOOTING DOWEL (26 BARS TOTAL).
- ⑥ PLACE 1-S642E AT EACH F619E & F620E B.F. FOOTING DOWEL (51 BARS TOTAL).
- ⑦ 2" CLEAR TO STRUCTURAL FACE AT FORMLINER.
- ⑧ BAR LOCATIONS OF FOOTING DOWELS AND VERTICAL STEM REINFORCEMENT.
- ⑨ SEE FOOTING STEP DETAIL SHEET 45.

PANEL G				
FOOTING REINFORCEMENT				
BAR	NO.	LENGTH	SHAPE	LOCATION
F501	30	11'-3"	STRT.	TOP TRANS.
F702	30	11'-3"	STRT.	BOT. TRANS.
F503	48	15'-5"	STRT.	LONGIT. TOP & BOT.
F619E	26	17'-4"	BENT	B.F. DOWEL
F620E	25	8'-9"	BENT	B.F. DOWEL
F521E	26	6'-3"	STRT.	F.F. DOWEL
F541	24	8'-8"	BENT	STEP REINF.
F643	2	3'-9"	BENT	B.F. DOWEL
STEM REINFORCEMENT				
BAR	NO.	LENGTH	SHAPE	LOCATION
S401E	26	24'-1"	STRT.	HORIZ. E.F.
S438E	2	23'-0"	STRT.	HORIZ. E.F.
S439E	2	20'-8"	STRT.	HORIZ. E.F.
S440E	2	24'-10"	BENT	HORIZ. E.F.
S441E	26	12'-10"	STRT.	F.F. VERT.
S642E	51	12'-10"	STRT.	B.F. VERT.
S554E	15	8'-2"	BENT	CORK & DOWEL JOINT TIE
S556E	26	7'-10"	BENT	TOP OF STEM TIE

CONCRETE VOLUME PANEL G	
1A43	35 CU. YD.
3Y43	32 CU. YD.

- ⑩ CONCRETE VOLUME SHOWN IS TO STRUCTURAL FACE AND DOES NOT INCLUDE CONCRETE VOLUME WITHIN THE FORMLINER.

Plot Date: 04/07/2014 8:52am  
 Path: \\p1\work\156-127-003\156-127-003.dwg  
 User: rbenso



CERTIFIED BY: *Ronald Benson* 3/14/2014  
 LICENSED PROFESSIONAL ENGINEER DATE  
 NAME: RONALD BENSON LIC. NO.: 22737

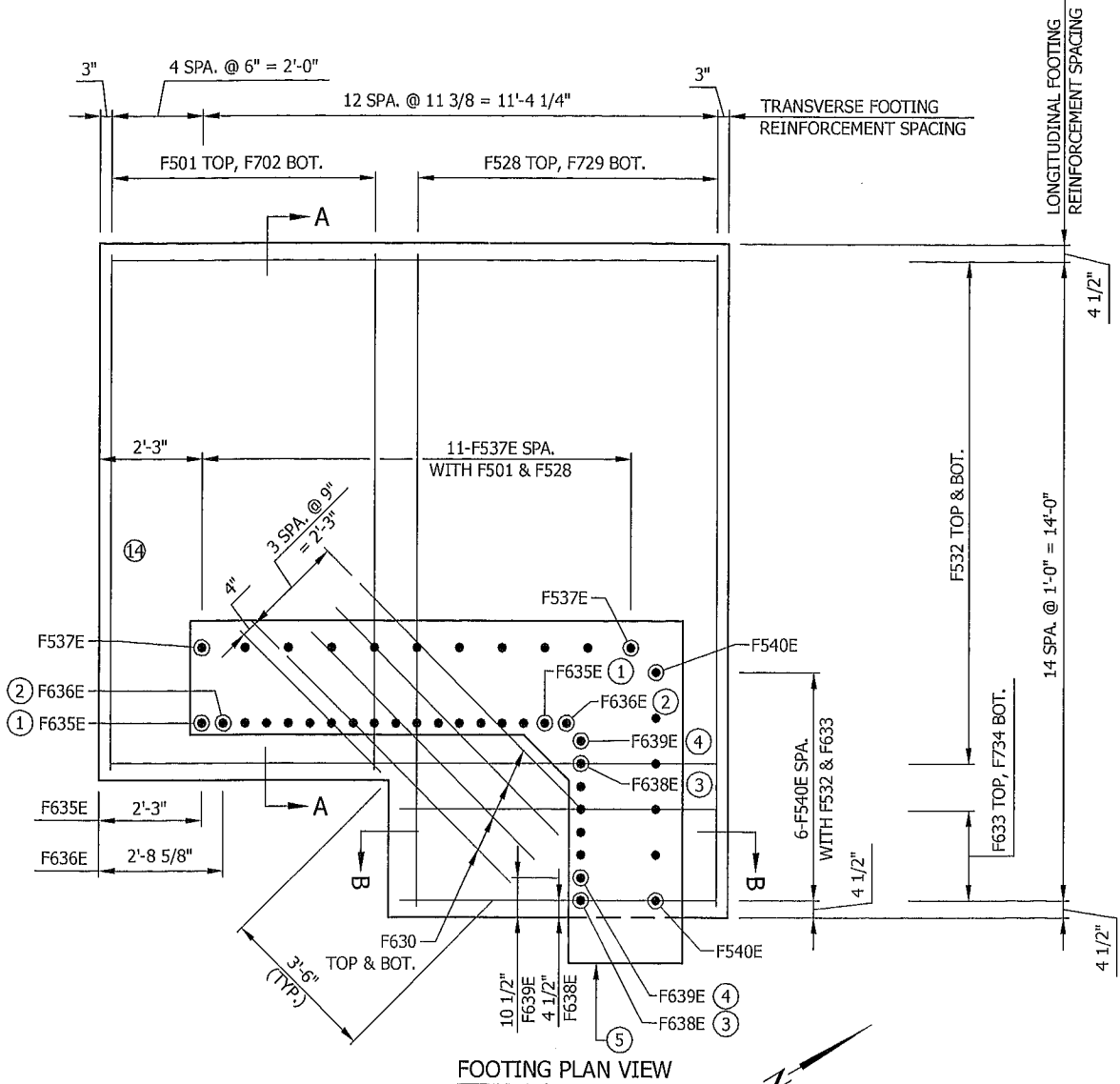
TITLE: PANEL G DETAILS

DES: BLF DR: AMH APPROVED:  
 CHK: AMH CHK: BLF  
 SHEET NO. 42 OF 51 SHEETS

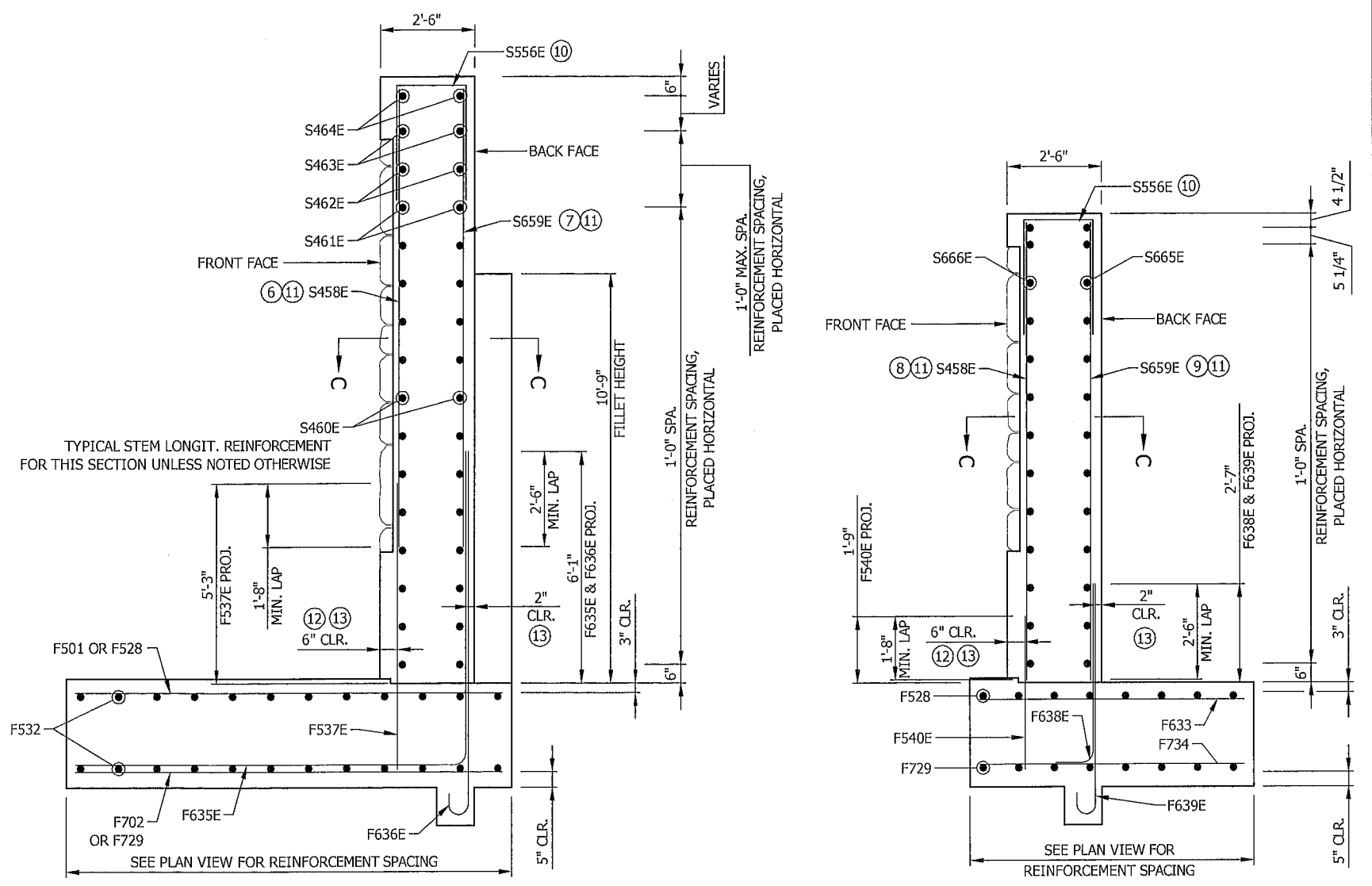
S.P. 156-127-003



THE CONTRACTOR SHALL VERIFY AND BE RESPONSIBLE FOR ALL DIMENSIONS. DO NOT SCALE. REVISIONS SHALL BE REFERRED TO DRAWING REVISIONS. NO REVISIONS SHALL BE MADE WITHOUT THE WRITTEN APPROVAL OF THE DESIGNER. NO REVISIONS SHALL BE MADE FOR ANY PURPOSE OTHER THAN THAT AUTHORIZED BY THE DESIGNER.



FOOTING PLAN VIEW



SECTION A-A

SECTION B-B

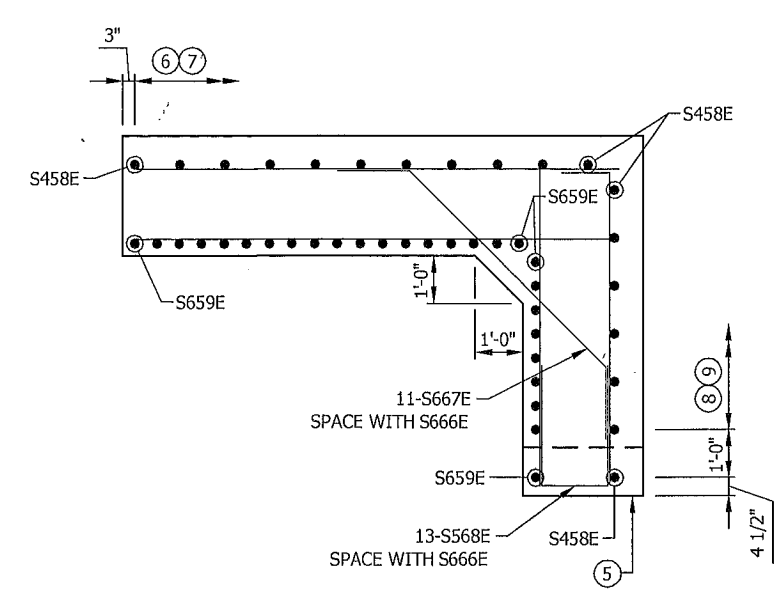
PANEL H FOOTING REINFORCEMENT				
BAR	NO.	LENGTH	SHAPE	LOCATION
F501	9	11'-3"	STRT.	TOP TRANS.
F702	9	11'-3"	STRT.	BOT. TRANS.
F528	8	14'-3"	STRT.	TOP TRANS.
F729	8	14'-3"	STRT.	BOT. TRANS.
F630	8	7'-0"	STRT.	TOP & BOT. DIAG.
F532	24	13'-5"	STRT.	LONGIT. TOP & BOT.
F633	3	7'-0"	STRT.	TOP LONGIT.
F734	3	7'-0"	STRT.	BOT. LONGIT.
F635E	9	18'-8"	BENT	B.F. DOWEL
F636E	9	10'-1"	BENT	B.F. DOWEL
F537E	11	7'-7"	STRT.	F.F. DOWEL
F638E	4	5'-10"	BENT	B.F. DOWEL
F639E	4	6'-7"	BENT	B.F. DOWEL
F540E	6	4'-1"	STRT.	F.F. DOWEL
F541	24	8'-8"	BENT	STEP REINF.
F643	2	3'-9"	BENT	B.F. DOWEL

STEM REINFORCEMENT				
BAR	NO.	LENGTH	SHAPE	LOCATION
S555E	30	6'-0"	STRT.	CONST. JOINT
S556E	18	7'-10"	BENT	TOP OF STEM TIE
S458E	18	12'-0"	STRT.	F.F. VERT.
S659E	27	12'-0"	STRT.	B.F. VERT.
S460E	24	10'-1"	STRT.	HORIZ. E.F.
S461E	2	7'-0"	STRT.	HORIZ. E.F.
S462E	2	4'-8"	STRT.	HORIZ. E.F.
S463E	2	2'-4"	STRT.	HORIZ. E.F.
S464E	2	10'-10"	BENT	HORIZ. E.F.
S665E	13	6'-9"	STRT.	HORIZ. B.F.
S666E	13	7'-8"	BENT	HORIZ. F.F.
S667E	11	8'-10"	BENT	FILLET TIE
S568E	13	7'-9"	BENT	END OF WALL TIE

CONCRETE VOLUME PANEL H	
1A43	20 CU. YD.
3Y43	19 CU. YD.

CONCRETE VOLUME SHOWN IS TO STRUCTURAL FACE AND DOES NOT INCLUDE CONCRETE VOLUME WITHIN THE FORMLINER.



SECTION C-C  
SEE SECTION VIEWS THIS SHEET FOR HORIZONTAL REINFORCEMENT

NOTES:

- ① F635E. 8 SPACES AT 11 3/8" = 7'-7"
- ② F636E. 8 SPACES AT 11 3/8" = 7'-7"
- ③ F638E. 3 SPACES AT 1'-0" = 3'-0"
- ④ F639E. 3 SPACES AT 1'-0" = 3'-0"
- ⑤ SEE NEXT SHEET FOR DRAIN PIPE BLOCKOUT DETAIL.
- ⑥ PLACE 1-S458E AT EACH F.F. FOOTING DOWEL (F537E) BEGINNING AT SOUTH END OF WALL (11 BARS TOTAL).
- ⑦ PLACE 1-S659E AT EACH B.F. FOOTING DOWEL (INCLUDING BOTH F635E & F636E) BEGINNING AT SOUTH END OF WALL (18 BARS TOTAL).
- ⑧ PLACE 1-S458E AT EACH F.F. FOOTING DOWEL (F540E) BEGINNING AT WEST END OF WALL (6 BARS TOTAL). PLACE ONE ADDITIONAL BAR IN WALL OVERHANG.
- ⑨ PLACE 1-S659E AT EACH B.F. FOOTING DOWEL (INCLUDING BOTH F638E & F639E) BEGINNING AT WEST END OF WALL (8 BARS TOTAL). PLACE ONE ADDITIONAL BAR IN WALL OVERHANG.
- ⑩ PLACE 1-S556E WITH EACH S458E BAR. PULL UP TO 2" CLEAR.
- ⑪ PLACE SUCH THAT MIN. LAP WITH FOOTING DOWEL & 2'-1" LAP WITH S556E IS PROVIDED.
- ⑫ 2" CLEAR TO STRUCTURAL FACE AT FORMLINER.
- ⑬ BAR LOCATIONS OF FOOTING DOWELS AND VERTICAL STEM REINFORCEMENT.
- ⑭ SEE FOOTING STEP DETAIL SHEET 45.

Plot Date: 04/07/2014 8:28am  
Drawing Name: S:\108\2014\156-127-003\156-127-003.dwg  
User: rbenso

**Stantec**  
2555 Iqzwe-36 W  
St. Louis, MO 63113  
www.stantec.com

CERTIFIED BY: *Ronald Benson* 3/14/2014 DATE  
LICENSED PROFESSIONAL ENGINEER  
NAME: RONALD BENSON LIC. NO.: 22737

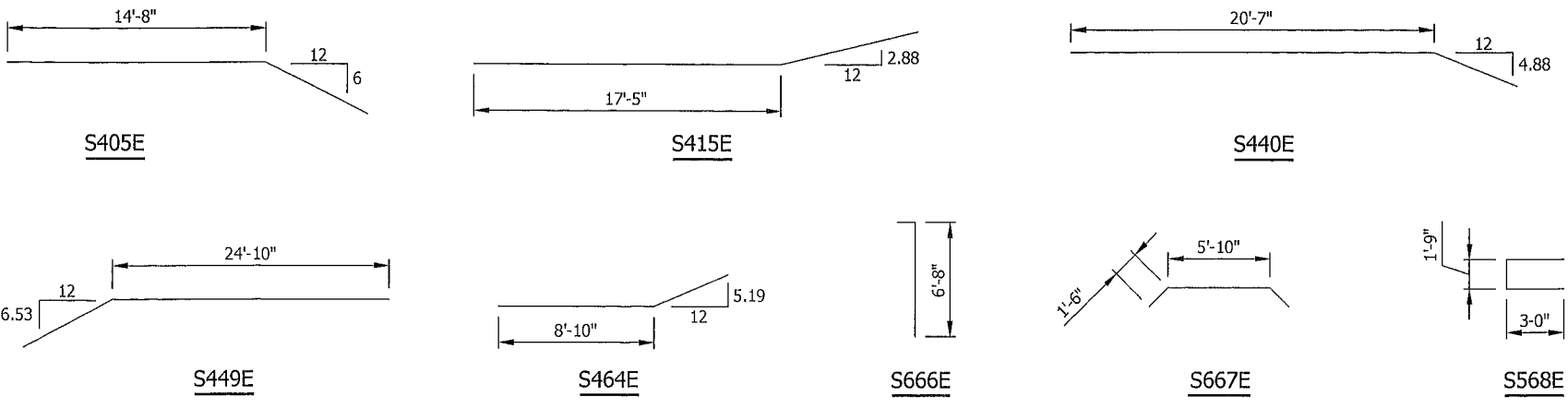
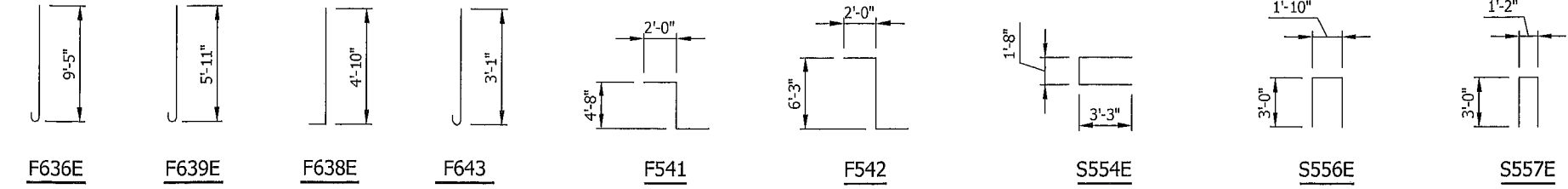
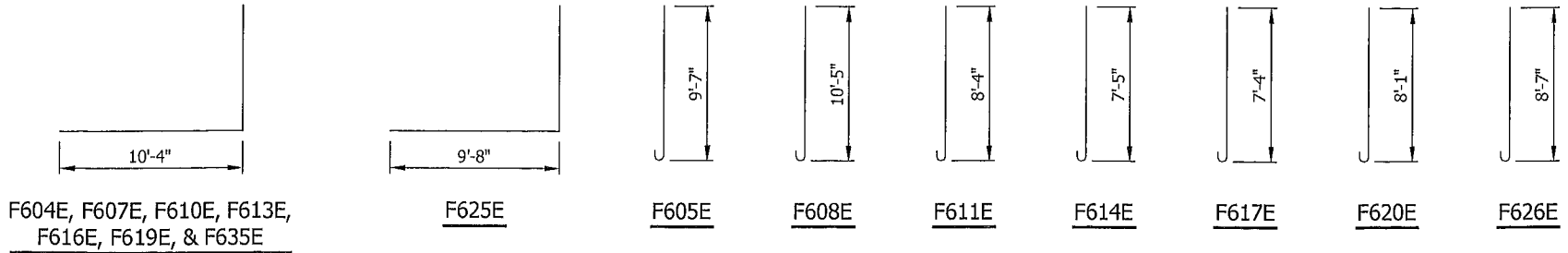
TITLE: PANEL H DETAILS

DES: BLF	DR: AMH	APPROVED:
CHK: AMH	CHK: BLF	

SHEET NO. 43 OF 51 SHEETS

S.P. 156-127-003

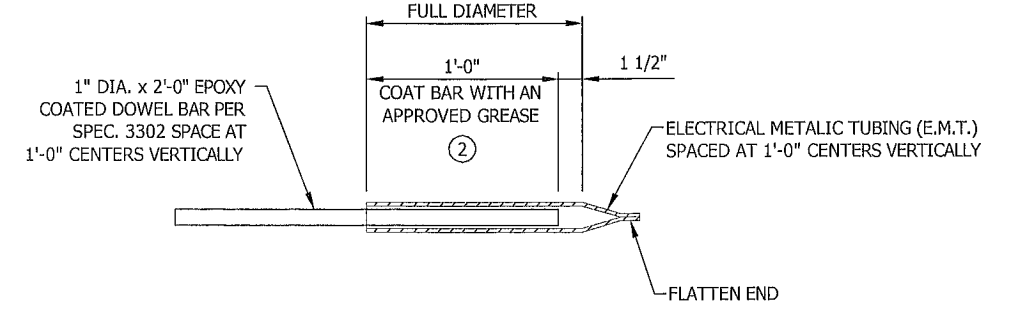
THE CONTRACTOR SHALL VERIFY AND BE RESPONSIBLE FOR ALL DIMENSIONS. DO NOT SCALE. REPRODUCE ANY ERRORS OR OMISSIONS SHALL BE RESPONSIBLE TO STANTEC WITHOUT DELAY. NO USE FOR ANY PURPOSE OTHER THAN THAT AUTHORIZED BY STANTEC CORPORATION.



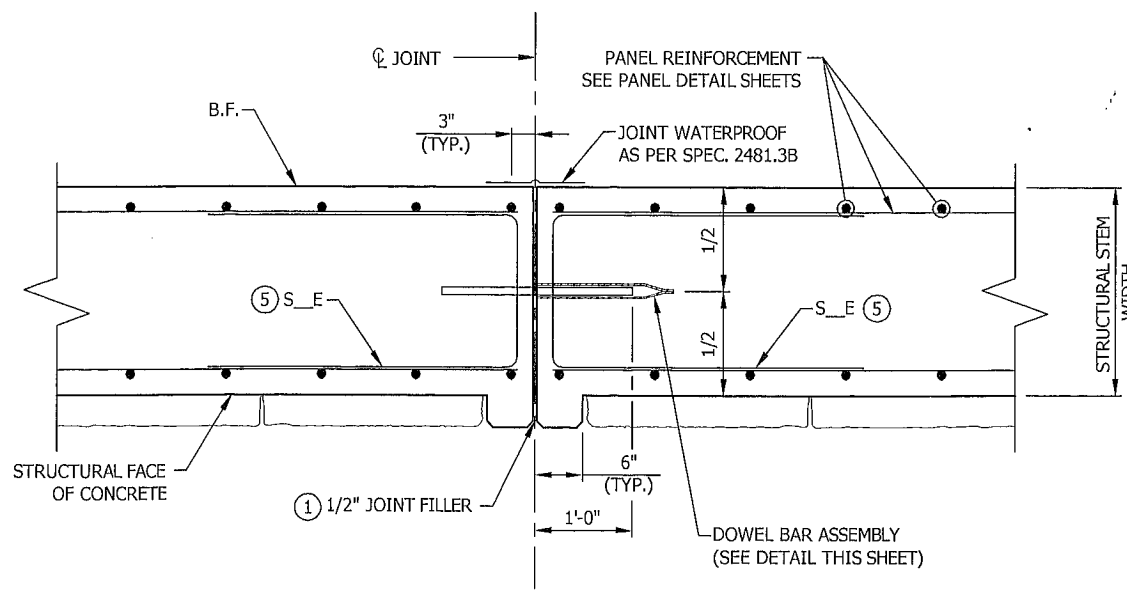
**NOTES:**

THE MATERIALS AND PLACEMENT OF THE CORK AND DOWEL JOINT/CONSTRUCTION JOINT (DOWEL BAR ASSEMBLIES, JOINT FILLER, AND JOINT WATERPROOFING) ARE INCIDENTAL FOR WHICH NO DIRECT PAYMENT WILL BE MADE.

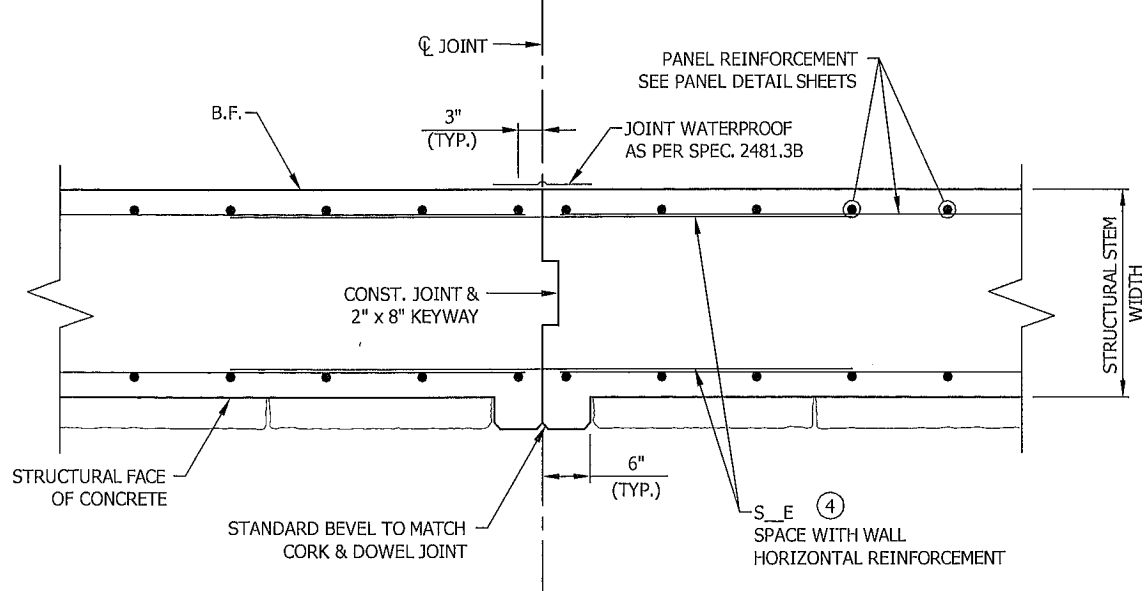
- ① JOINT FILLER SHALL BE CORK (SPEC. 2401.3E3).
- ② GREASE SHALL BE AN APPROVED HIGH PRESSURE TYPE THAT IS EFFECTIVE OVER THE FULL RANGE OF EXPECTED TEMPERATURES AND RESISTANT TO CHEMICAL ACTION.
- ③ DOWEL BAR ASSEMBLY MUST BE INSTALLED PERPENDICULAR TO JOINT AND PARALLEL TO THE WALL FACE, AND TO EACH OTHER.
- ④ THESE BARS ARE INCLUDED IN BILL OF REINFORCEMENT FOR FIRST PANEL POURED, ASSUMING NORTH TO SOUTH SEQUENCE.
- ⑤ BARS ARE INCLUDED IN BILL OF REINFORCEMENT FOR THE PANEL.
- ⑥ FIELD CUT BAR TO PROVIDE A MINIMUM OF 2" CONCRETE COVER. COAT ALL BAR CUTS WITH AN APPROVED EPOXY.



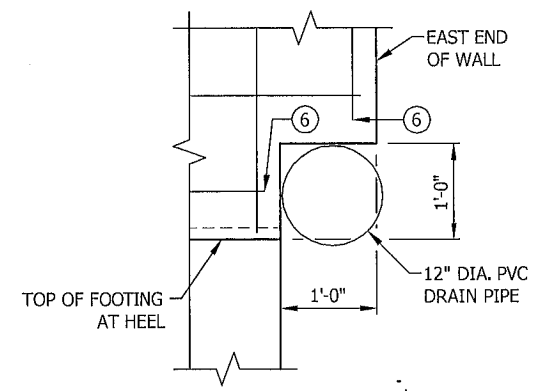
**DOWEL BAR ASSEMBLY DETAIL**



**CORK & DOWEL JOINT DETAIL ③**



**CONSTRUCTION JOINT DETAIL**



**DRAIN PIPE BLOCKOUT DETAIL  
LOOKING NORTH AT EAST END OF WALL**

Plot Date: 04/07/2014 8:28am  
 Drawing Name: \\1983\csl\w\1983\2521\CAD\DWG\19832521\_001.dwg  
 User: 19832521\_001\19832521\_001



CERTIFIED BY: *Ronald Benson* 3/14/2014 DATE  
 LICENSED PROFESSIONAL ENGINEER  
 NAME: RONALD BENSON LIC. NO.: 22737

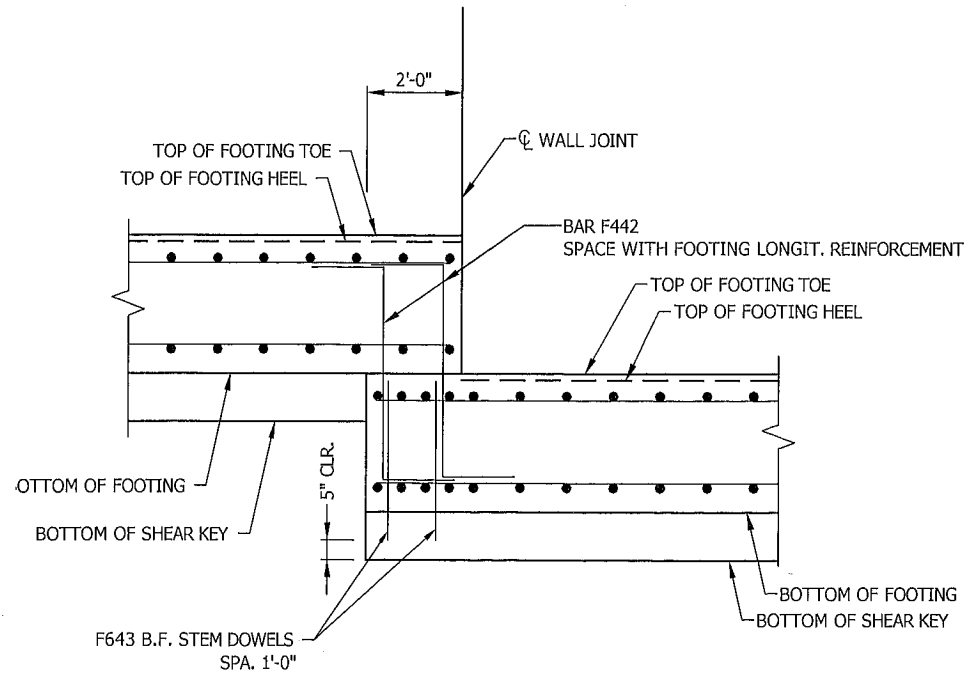
TITLE:  
 REBAR DIAGRAMS & JOINT DETAILS

DES: BLF	DR: AMH	APPROVED:
CHK: AMH	CHK: BLF	

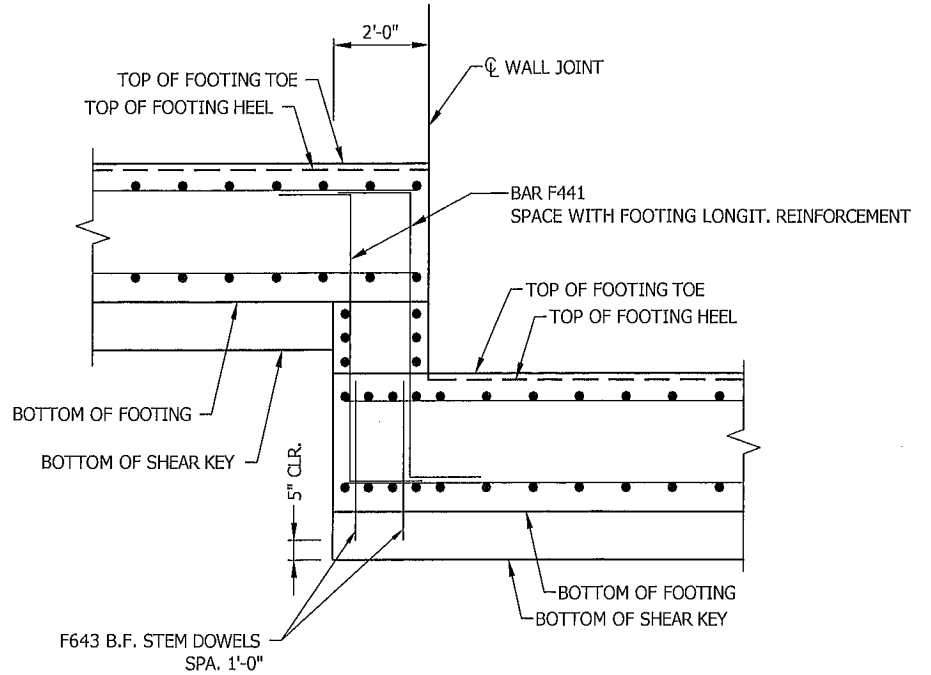
SHEET NO. 44 OF 51 SHEETS

S.P. 156-127-003

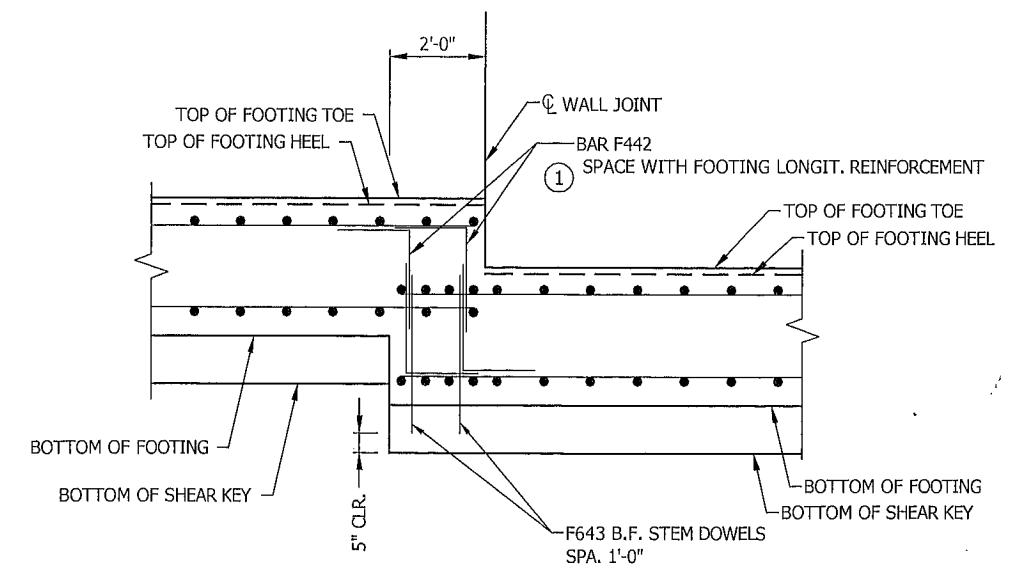
THE CONTRACTOR SHALL VERIFY AND BE RESPONSIBLE FOR ALL DIMENSIONS. DO NOT SCALE THE DRAWING. ANY ERRORS OR OMISSIONS SHALL BE REPORTED TO STANTEC WITHOUT DELAY. STANTEC SHALL NOT BE RESPONSIBLE FOR ANY ERRORS OR OMISSIONS. ALL DIMENSIONS AND DRAWINGS ARE THE PROPERTY OF STANTEC. REPRODUCTION OF THESE DRAWINGS FOR ANY PURPOSE OTHER THAN THAT AUTHORIZED BY STANTEC IS PROHIBITED.



TYPICAL STEP FOOTING DETAIL



JOINT BC STEP FOOTING DETAIL



INTERMEDIATE STEP FOOTING DETAIL (2)

SEE NOTE (6) SHEET 34

NOTES:

- ① CONTRACTOR TO FIELD CUT F442 AND PROVIDE MIN. 1'-0" LAP. COAT ALL BAR CUTS WITH AN APPROVED EPOXY.
- ② STEP AT WALL JOINT IS SHOWN. SECOND INTERMEDIATE STEP FOR PANEL WILL BE LOCATED MID-PANEL AT LAP IN FOOTING BARS. ADDITIONAL F442 BARS REQUIRED AT MID-PANEL STEP SHALL BE PROVIDED BY THE CONTRACTOR FOR NO ADDITIONAL COMPENSATION.

Plot Date: 04/07/2014 8:53am  
 Drawing Name: V:\198\active\19802521\CAD\Draw\19802521\_301.dwg  
 Xref: 19802521\_100.dwg



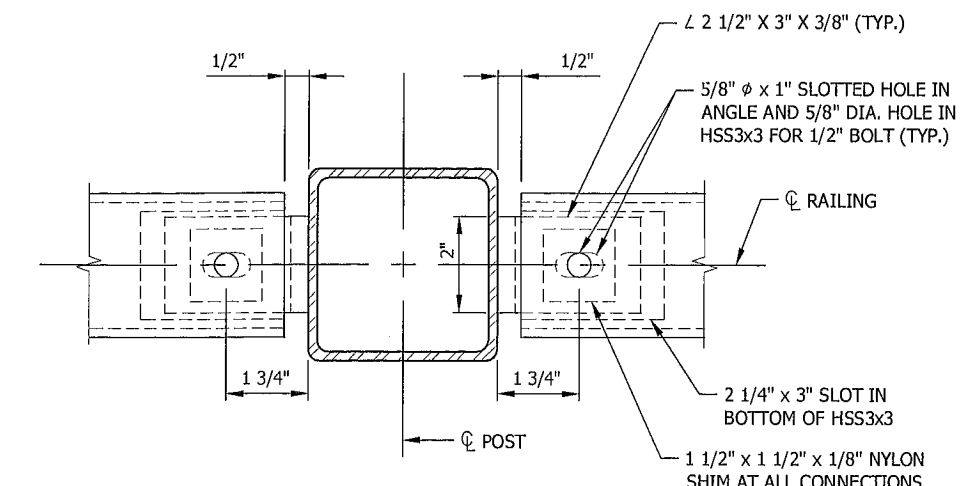
CERTIFIED BY: *Ronald Benson* 3/14/2014  
 LICENSED PROFESSIONAL ENGINEER DATE  
 NAME: RONALD BENSON LIC. NO.: 22737

TITLE: STEPPED FOOTING DETAILS

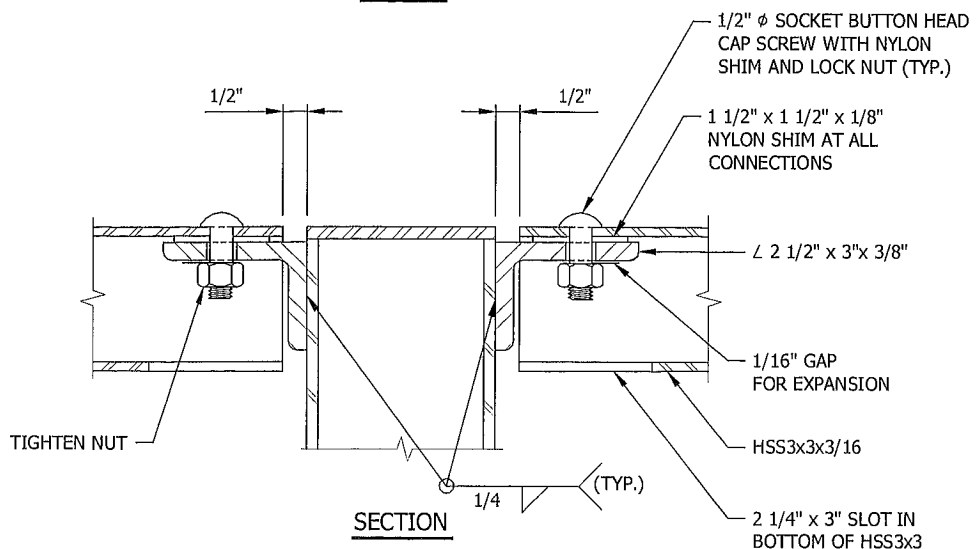
DES:	BLF	DR:	AMH	APPROVED:
CHK:	AMH	CHK:	BLF	
SHEET NO. 45 OF 51 SHEETS				

S.P. 156-127-003

THE CONTRACTOR SHALL VERIFY AND BE RESPONSIBLE FOR ALL DIMENSIONS. DO NOT SCALE. THE CONTRACTOR SHALL VERIFY ALL DIMENSIONS AND MATERIALS ARE AS SHOWN ON THIS SHEET. THE CONTRACTOR SHALL BE RESPONSIBLE FOR ANY DIMENSIONS OR MATERIALS NOT SHOWN ON THIS SHEET OR FOR ANY PURPOSE OTHER THAN THAT AUTHORIZED BY THE CONTRACT DOCUMENTS.

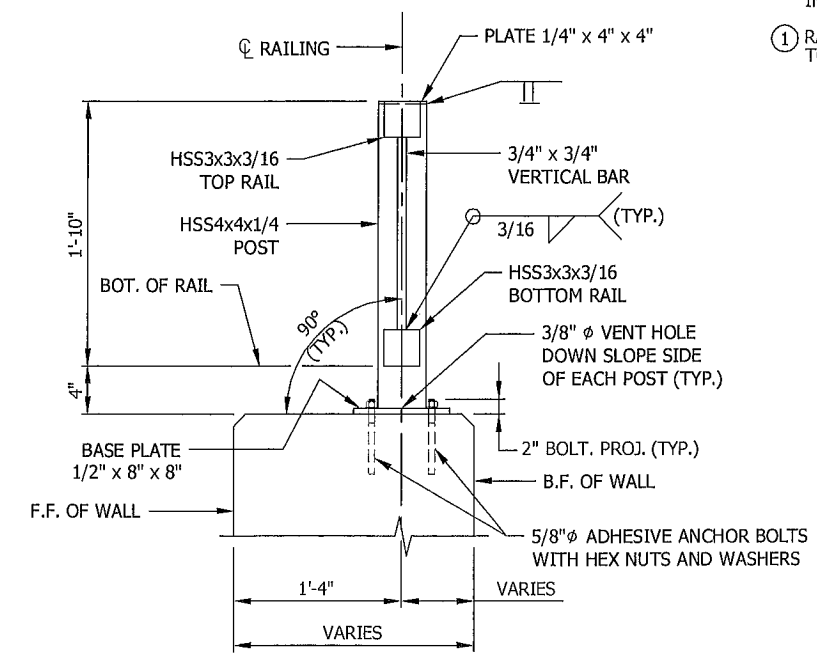


PLAN

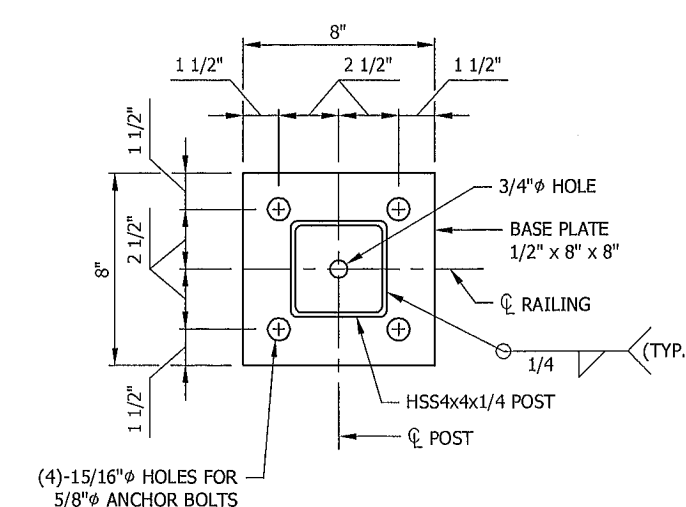


SECTION

RAILPOST CONNECTION DETAILS  
(CONNECTION TYPICAL TOP & BOTTOM RAIL)

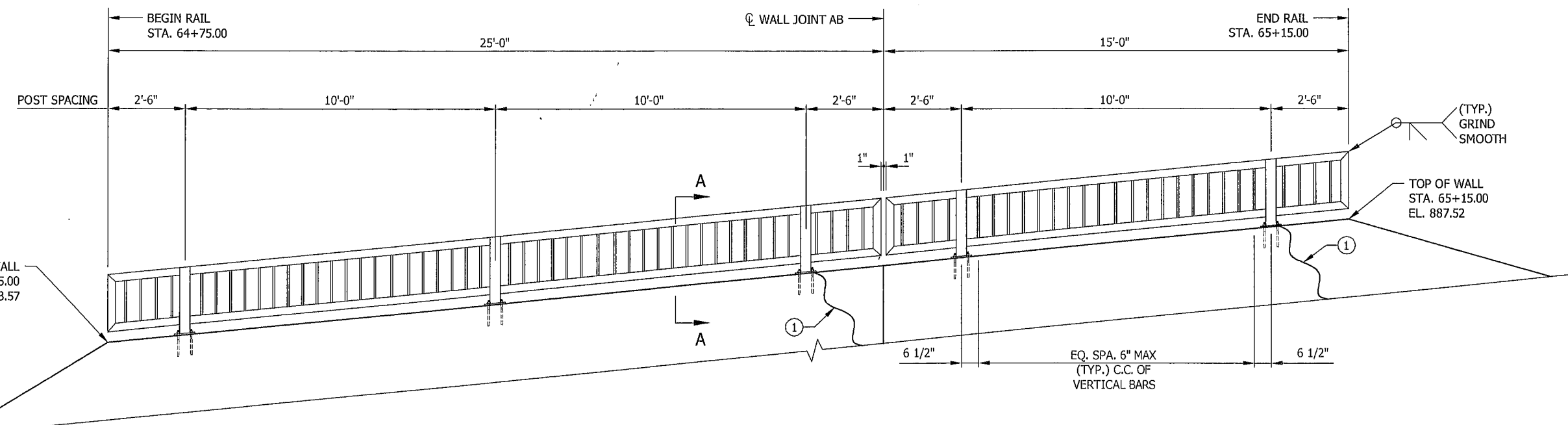


SECTION A-A



POST BASE PLATE DETAIL

**NOTES:**  
 ALL RAIL POSTS AND 3/4" x 3/4" BARS SHALL BE VERTICAL.  
 ALL STEEL TUBING IN THE RAIL SHALL BE A500 GRADE B PER MN/DOT SPEC. 3361. ALL OTHER STEEL SHALL CONFORM TO MN/DOT SPEC. 3306  
 GALVANIZE BOLTS, NUTS AND WASHERS PER SPEC. 3392. GALVANIZE ALL OTHER STRUCTURAL STEEL PER MN/DOT SPEC. 3394 AFTER FABRICATION.  
 LENGTH OF "ORNAMENTAL METAL RAILING TYPE SPECIAL" FOR PAYMENT SHALL BE MEASURED FROM OUTSIDE FACE OF BEGINNING TUBE TO OUTSIDE FACE OF END TUBE.  
 PRICE BID FOR "ORNAMENTAL METAL RAILING TYPE SPECIAL" INCLUDES ALL STEEL MATERIAL SHOWN ON THIS SHEET, AND INCLUDES ALL LABOR, FABRICATION, HARDWARE, PAINTING, DELIVERY AND ERECTION.  
 FOR PAINTING REQUIREMENTS SEE SPECIAL PROVISIONS. BASE PLATES, PROTRUDING PORTIONS OF BOLTS, NUTS AND WASHERS SHALL BE PAINTED TO MATCH RAIL. COLOR OF RAILING SHALL BE PEARL GRAY, FEDERAL STANDARD 595, NO. 26622.  
 USE 5/8" DIA. ADHESIVE ANCHOR BOLTS, PER SPEC. 3385 TYPE A, WITH HEX NUTS AND LOCK WASHERS. INSTALL PER MANUFACTURER'S INSTRUCTIONS. MINIMUM ULTIMATE PULLOUT STRENGTH SHALL BE 10,000 POUNDS, WITH A MINIMUM 5" EMBEDMENT. FURNISHING AND INSTALLING ADHESIVE AND ADHESIVE ANCHORS INCLUDED IN "ORNAMENTAL METAL RAILING TYPE SPECIAL". SEE SPECIAL PROVISIONS.  
 ① RAILING SHALL BE GROUNDED WITH 5/8" DIA. COPPER ROD PER MN/DOT SPEC. 2557.3E. GROUNDING WIRES EMBEDDED IN WALL CONCRETE TO BACKFACE AT GROUNDLINE. FURNISHING AND INSTALLING GROUNDING CONSIDERED INCIDENTAL TO OTHER ITEMS.



RAIL PROFILE - ORNAMENTAL METAL RAIL

Plot Date: 04/14/2014 8:48:58am  
 Xref: 12822523\_3D0252



CERTIFIED BY: *Ronald Benson* 3/14/2014  
 LICENSED PROFESSIONAL ENGINEER DATE  
 NAME: RONALD BENSON LIC. NO.: 22737

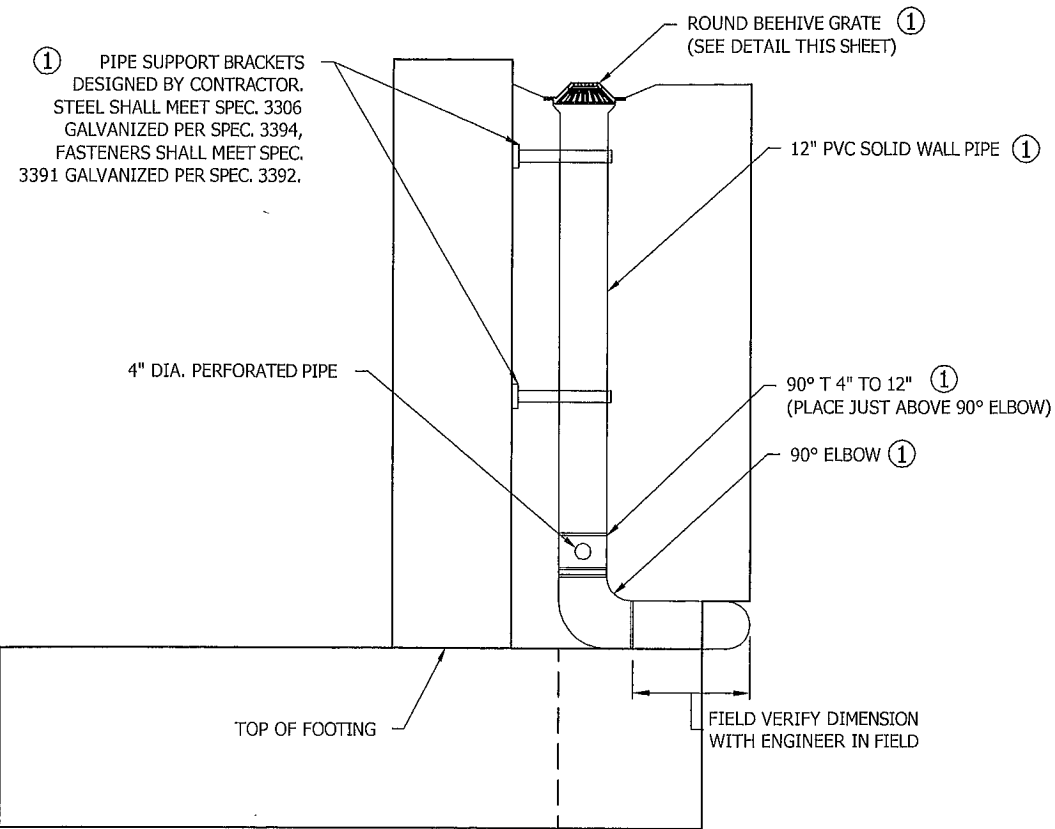
TITLE: ORNAMENTAL METAL RAILING DETAILS

DES: BLF	DR: AMH	APPROVED:
CHK: AMH	CHK: BLF	

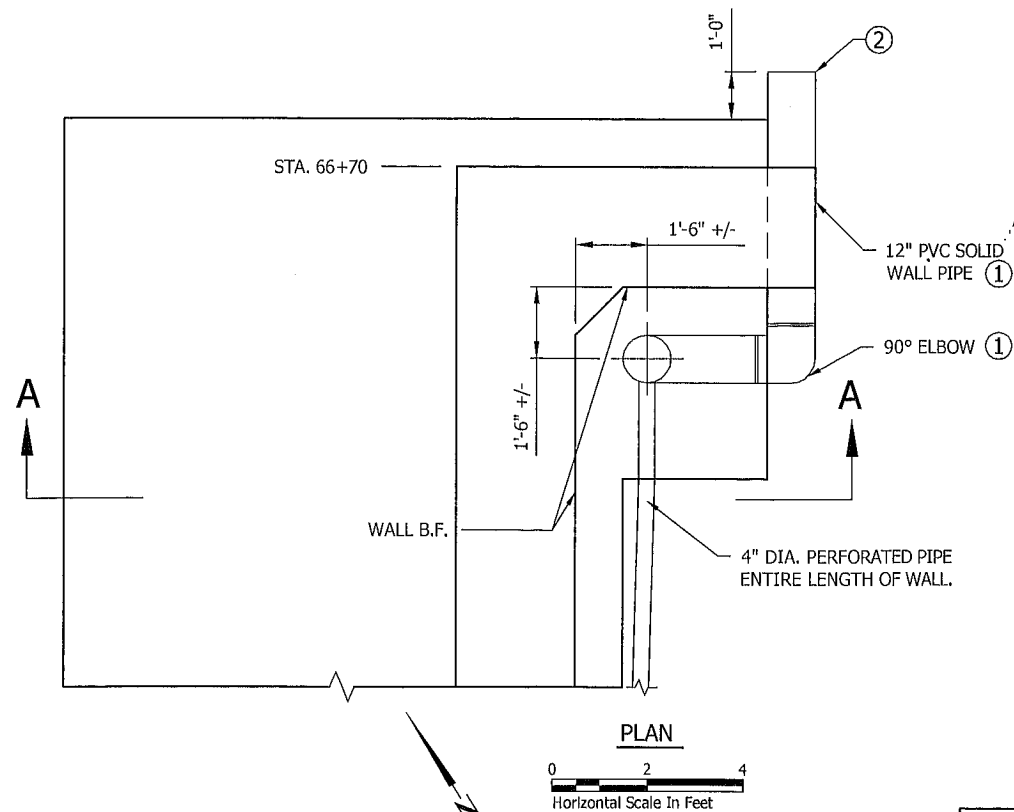
SHEET NO. 46 OF 51 SHEETS

S.P. 156-127-003

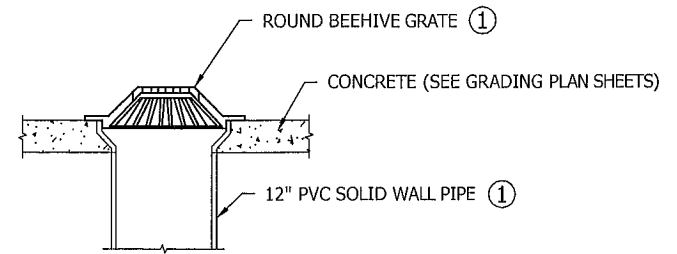
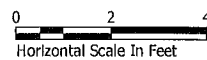
THE CONTRACTOR SHALL VERIFY AND BE RESPONSIBLE FOR ALL DIMENSIONS. DO NOT SCALE THE DRAWING. ALL DIMENSIONS SHALL BE REPORTED TO BENTON WHO WILL VERIFY THE DIMENSIONS TO THE DESIGN. THE CONTRACTOR SHALL BE RESPONSIBLE FOR THE PRODUCTION OF THE DRAWING FOR ANY PURPOSE OTHER THAN THAT AUTHORIZED BY BENTON'S SIGNATURE.



VIEW A-A



PLAN



GRATE DETAIL

NOTES:

ALL PIPE, CONNECTIONS, APPURTENANCES, BRACKETS, AND GRATE SHALL BE INCLUDED FOR PAYMENT IN ITEM "DRAINAGE SYSTEM" PER THE LUMP SUM. ITEM "DRAINAGE SYSTEM" SHALL INCLUDE DESIGN, SHOP DRAWINGS, AND FURNISHING AND INSTALLING ALL MATERIALS. ALL PVC PIPE AND FITTINGS SHALL CONFORM TO SPEC 3245 EXCEPT THAT SOLID WALL PIPE SHALL BE SDR 26 IN PLACE OF SDR 35. 4" DIA. PERORATED PIPE SHALL BE WRAPPED WITH APPROVED GEOTEXTILE.

- ① CONTRACTOR SHALL SUBMIT SHOP DRAWINGS FOR APPROVAL PRIOR TO ORDERING MATERIALS. SHOP DRAWINGS SHALL DETAIL AND SPECIFY BRACKETS, BEEHIVE GRATE, AND PIPE LAYOUT AND CONNECTIONS. BEEHIVE GRATE SHALL BE CAST IRON WITH A TOTAL OPENING OF 0.5 SQ. FT. AND FIT ON THE 12" PVC SOLID WALL PIPE AS SHOWN.
- ② END OF PAY LIMITS FOR "DRAINAGE SYSTEM" PER THE LUMP SUM. INVERT ELEVATION 850.80 FOR 12" PVC SOLID WALL PIPE. SEE GRADING PLAN SHEETS FOR CONNECTION INTO STORM SEWER.

S.P. 156-127-003

Plot Date: 04/04/2014 11:48:58am  
 Project: 156-127-003  
 Xrefs: 156-127-003\_040212



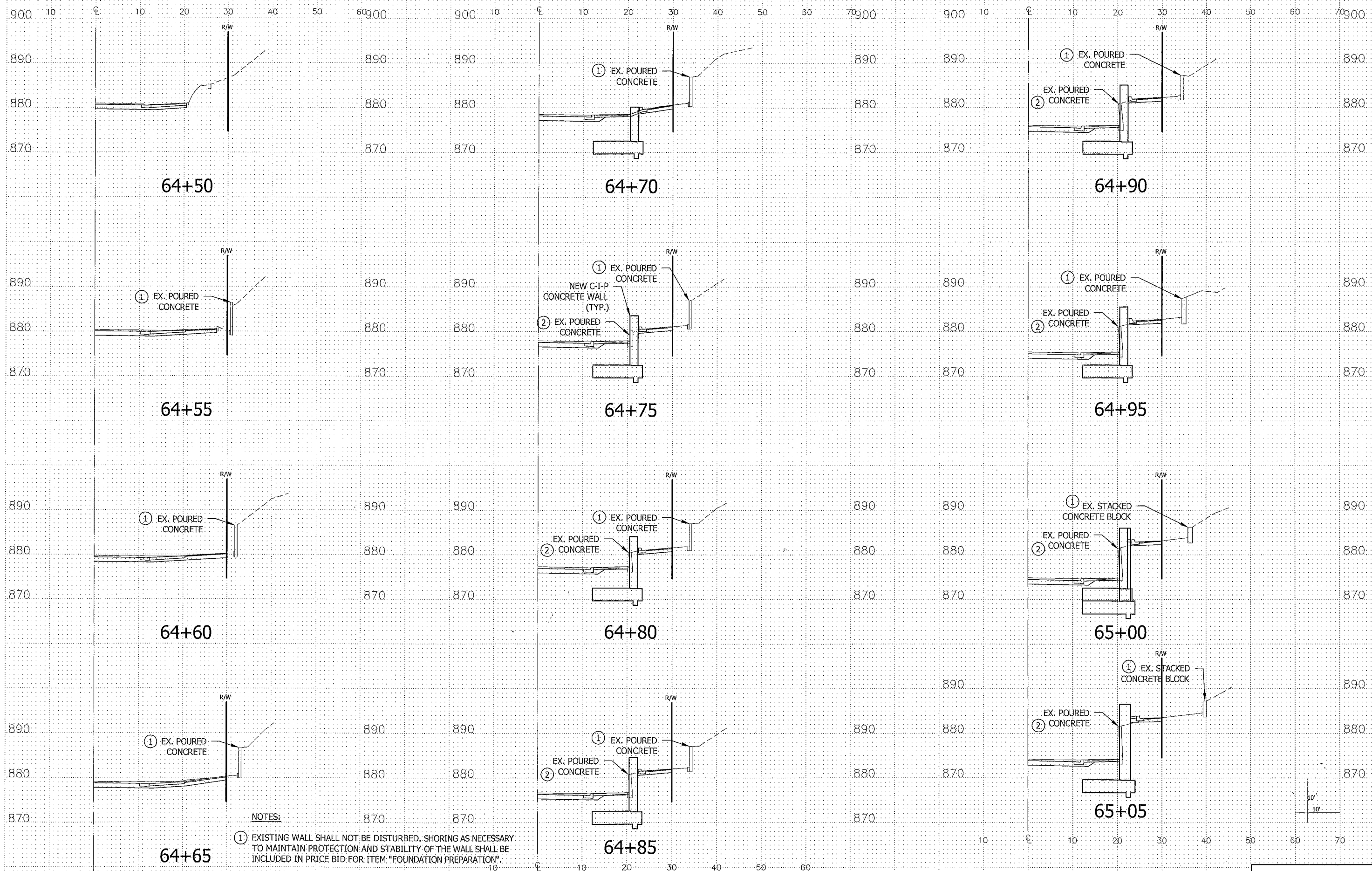
CERTIFIED BY: *Ronald Benson* 3/14/2014  
 LICENSED PROFESSIONAL ENGINEER DATE  
 NAME: RONALD BENSON LIC. NO.: 22737

TITLE: SURFACE DRAIN DETAILS

DES:	BLF	DR:	AMH	APPROVED:
CHK:	AMH	CHK:	BLF	
SHEET NO. 47 OF 51 SHEETS				

THE CONTRACTOR SHALL VERIFY AND BE RESPONSIBLE FOR ALL DIMENSIONS. DO NOT SCALE THE DRAWING. ANY TYPICAL OR DIMENSIONS SHALL BE REFERRED TO STANDARD SPECIFICATIONS. NO USE FOR ANY PURPOSE OTHER THAN THAT AUTHORIZED BY STANTEC PROFESSIONAL ENGINEERS.

Plot Date: 04/04/2014 8:53am  
 Drawing Path: \\c:\projects\156127\156127.dwg  
 User: rbenso

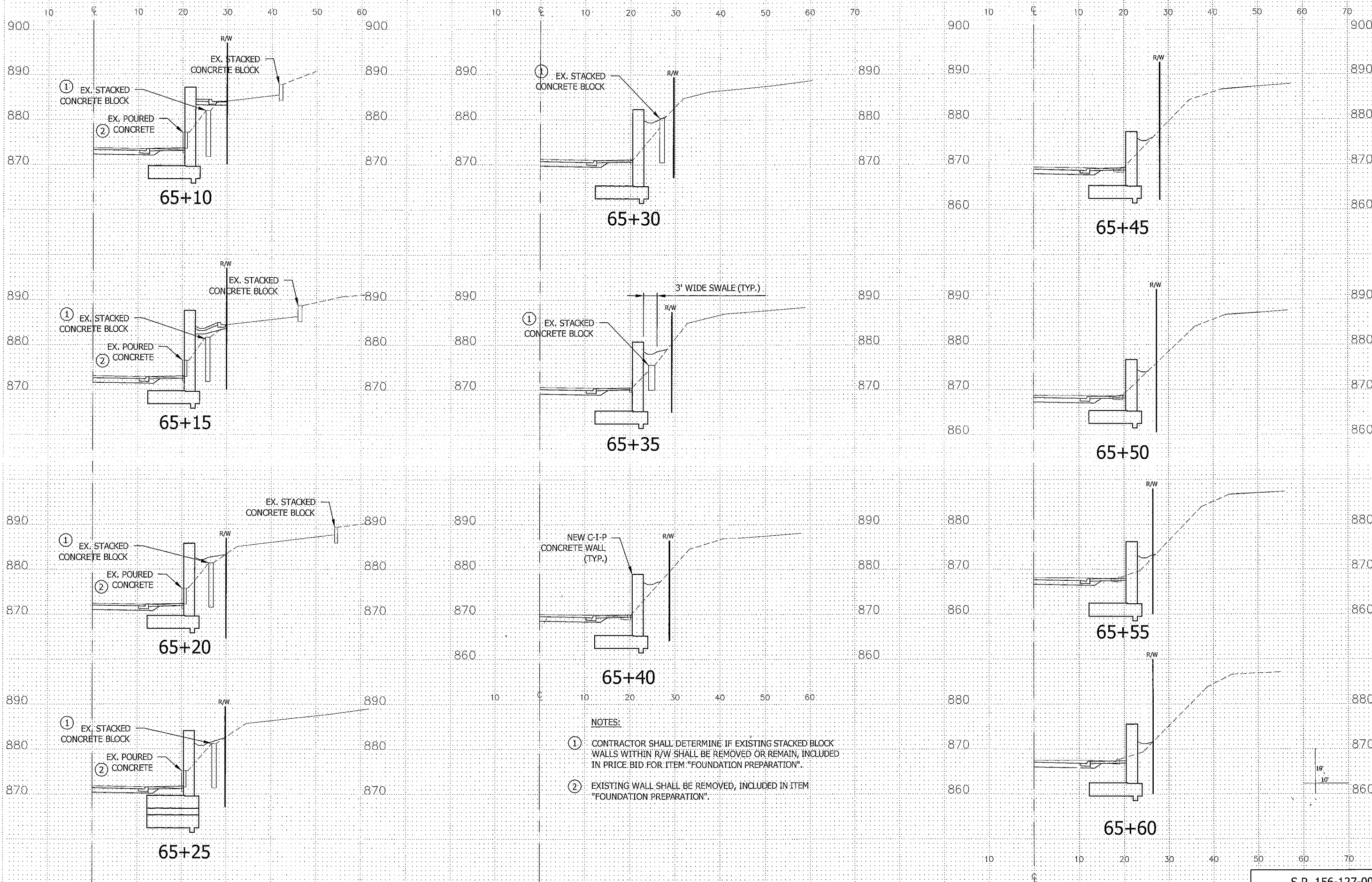


- NOTES:
- ① EXISTING WALL SHALL NOT BE DISTURBED. SHORING AS NECESSARY TO MAINTAIN PROTECTION AND STABILITY OF THE WALL SHALL BE INCLUDED IN PRICE BID FOR ITEM "FOUNDATION PREPARATION".
  - ② EXISTING WALL SHALL BE REMOVED, INCLUDED IN ITEM "FOUNDATION PREPARATION".

S.P. 156-127-003

	CERTIFIED BY: <i>Ronald Benson</i>	3/14/2014	TITLE: WEST AVENUE STREET RECONSTRUCTION	DES: BLF	DR: AMH	APPROVED:
	NAME: RONALD BENSON	LIC. NO.: 22737	DATE	CHK: AMH	CHK: BLF	
CROSS SECTIONS STA. 64+55 TO 65+05				SHEET NO. 48 OF 51 SHEETS		

THE CONTRACTOR SHALL VERIFY AND BE RESPONSIBLE FOR ALL DIMENSIONS. DO NOT SCALE. THE CONTRACTOR SHALL VERIFY AND BE RESPONSIBLE FOR ALL DIMENSIONS. DO NOT SCALE. THE CONTRACTOR SHALL VERIFY AND BE RESPONSIBLE FOR ALL DIMENSIONS. DO NOT SCALE.



- NOTES:**
- ① CONTRACTOR SHALL DETERMINE IF EXISTING STACKED BLOCK WALLS WITHIN R/W SHALL BE REMOVED OR REMAIN, INCLUDED IN PRICE BID FOR ITEM "FOUNDATION PREPARATION".
  - ② EXISTING WALL SHALL BE REMOVED, INCLUDED IN ITEM "FOUNDATION PREPARATION".

Plot Date: 04/14/2014 8:58am  
 Xref: 156127-003.dwg  
 User: JBOGNER



CERTIFIED BY: *Ronald Benson* 3/14/2014  
 LICENSED PROFESSIONAL ENGINEER DATE  
 NAME: RONALD BENSON LIC. NO.: 22737

TITLE:  
 WEST AVENUE STREET RECONSTRUCTION  
 CROSS SECTIONS STA. 65+10 TO 65+60

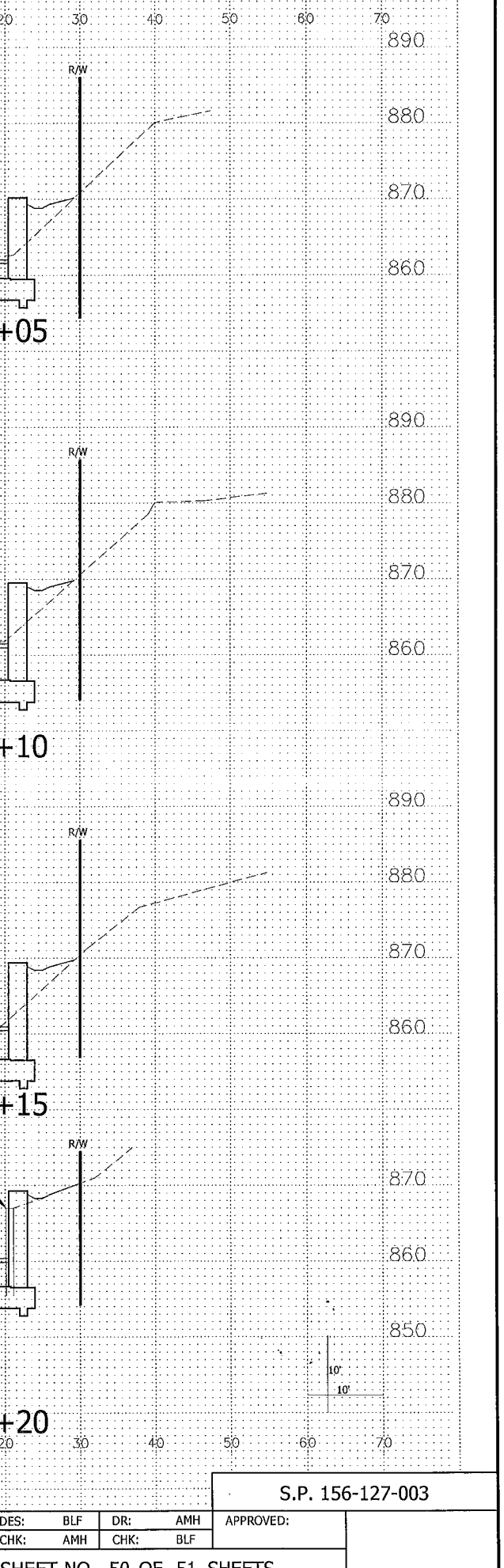
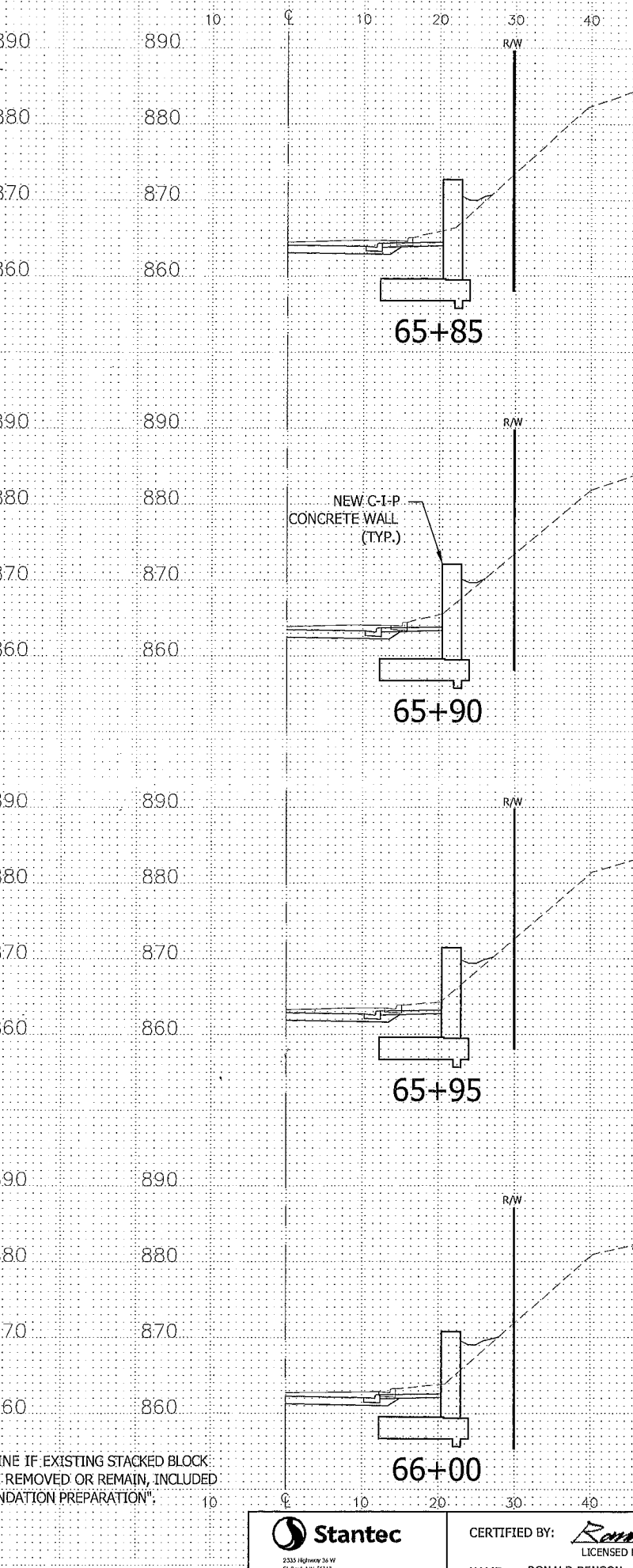
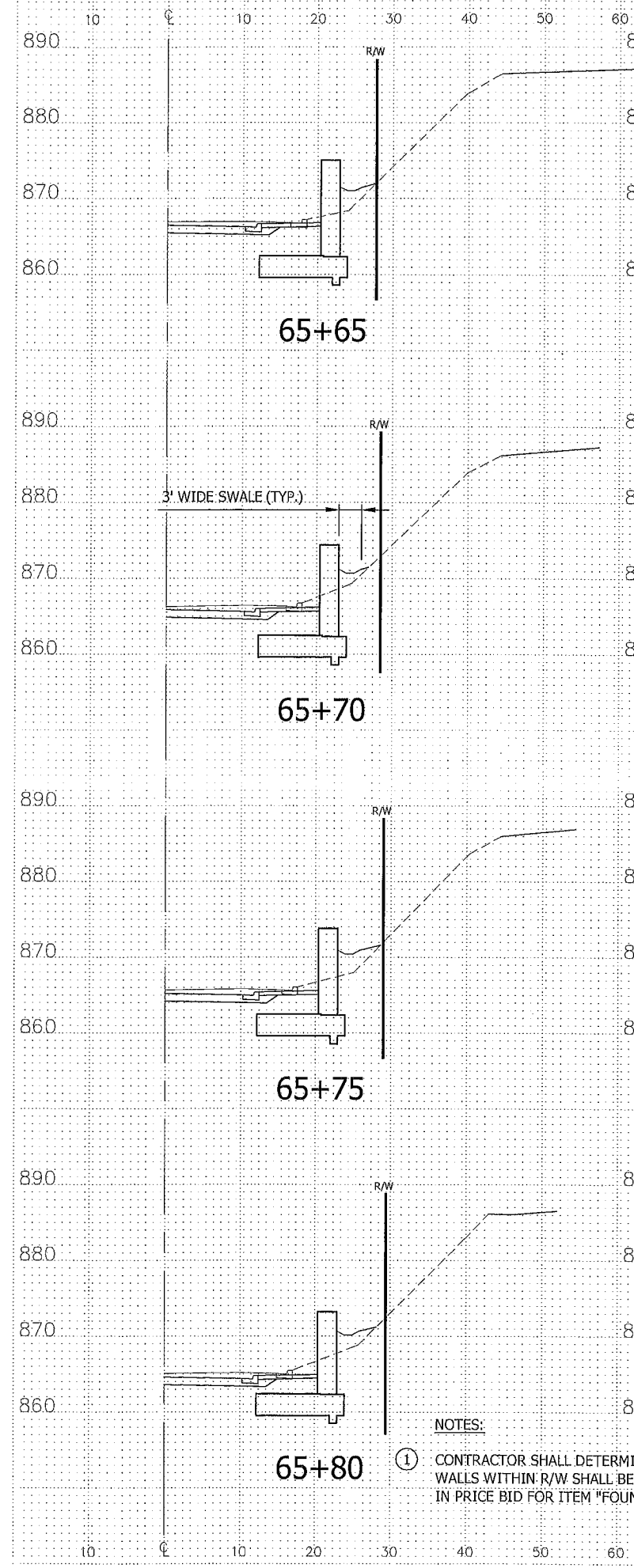
DES: BLF	DR: AMH	APPROVED:
CHK: AMH	CHK: BLF	

SHEET NO. 49 OF 51 SHEETS

S.P. 156-127-003

THE CONTRACTOR SHALL VERIFY AND BE RESPONSIBLE FOR ALL DIMENSIONS ON THIS DRAWING. ANY ERRORS OR OMISSIONS SHALL BE REPORTED TO STANTEC WITHOUT DELAY. THIS DRAWING IS THE PROPERTY OF STANTEC AND IS NOT TO BE REPRODUCED OR USED FOR ANY PURPOSE OTHER THAN THAT AUTHORIZED BY STANTEC'S PERMISSION.

Plot Date: 04/14/2014 8:53am  
 Drawing Name: V:\1939\active\193902201\CAD\Draw\193902201\_JSC.dwg  
 Author: 193902201-DONOR



S.P. 156-127-003



CERTIFIED BY: *Ronald Benson* 3/14/2014  
 LICENSED PROFESSIONAL ENGINEER DATE  
 NAME: RONALD BENSON LIC. NO.: 22737

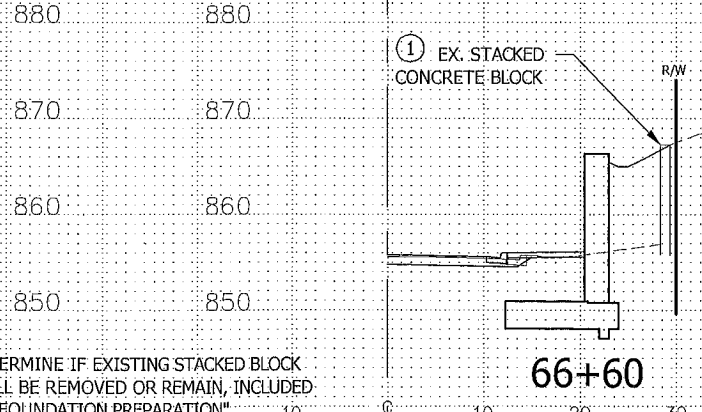
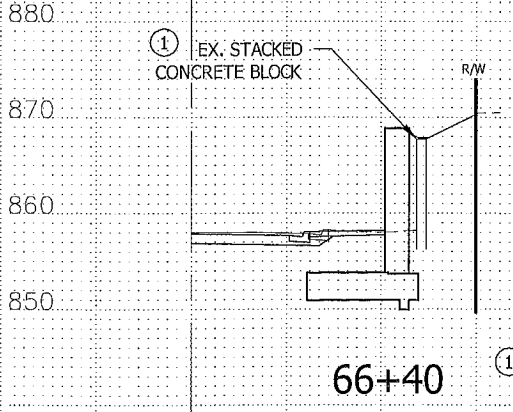
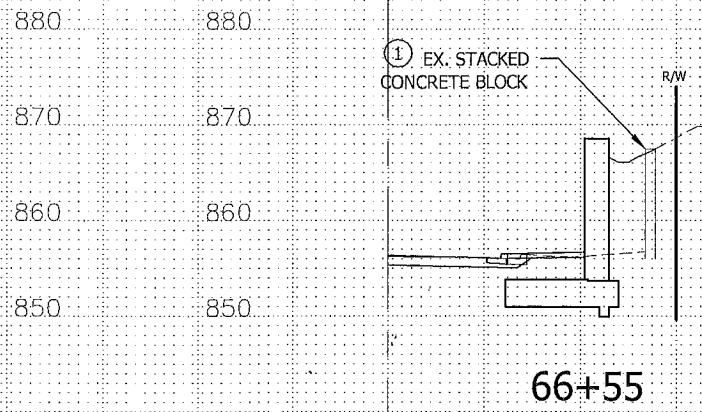
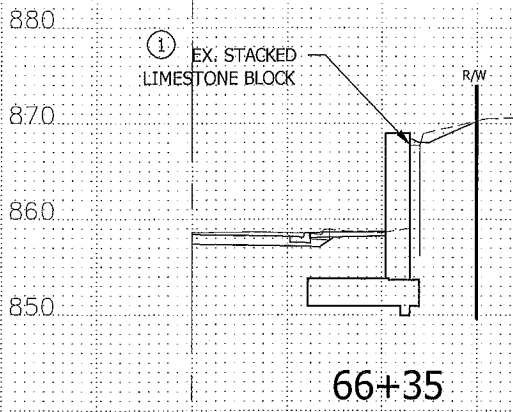
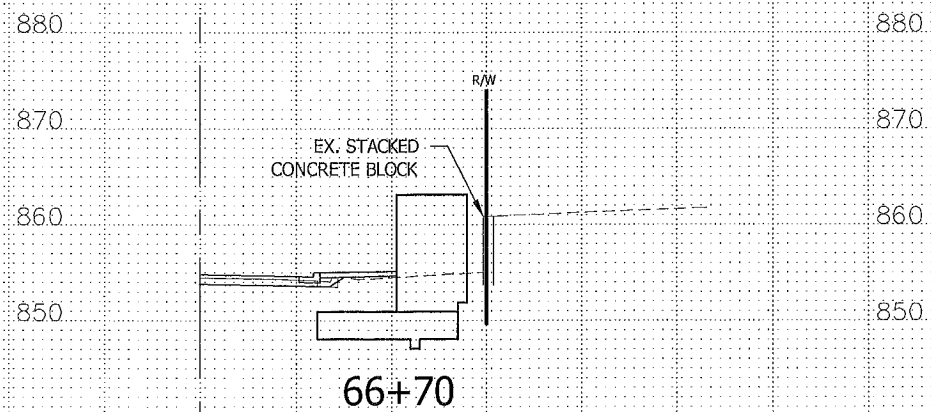
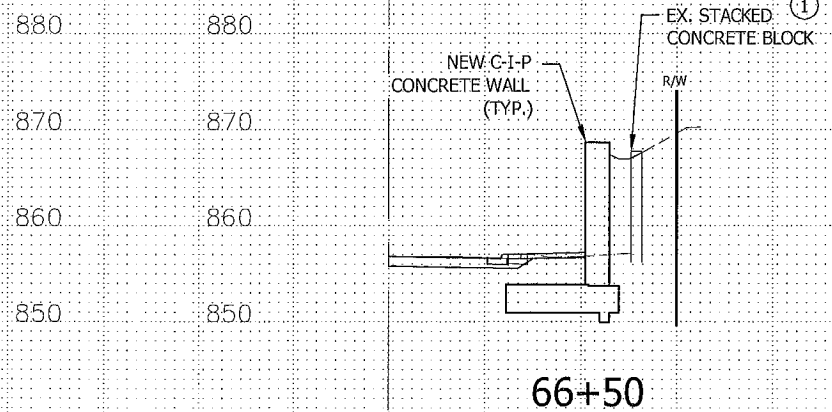
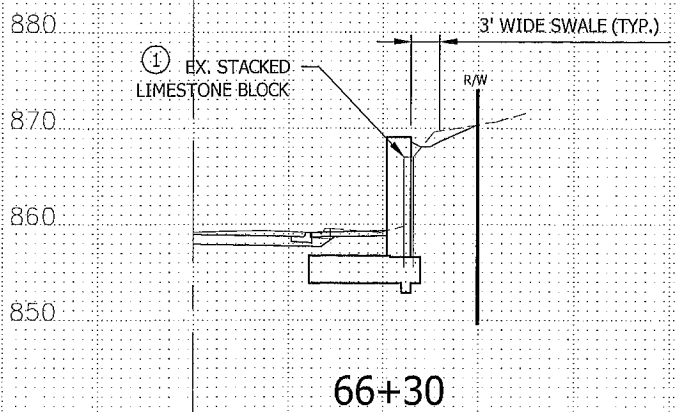
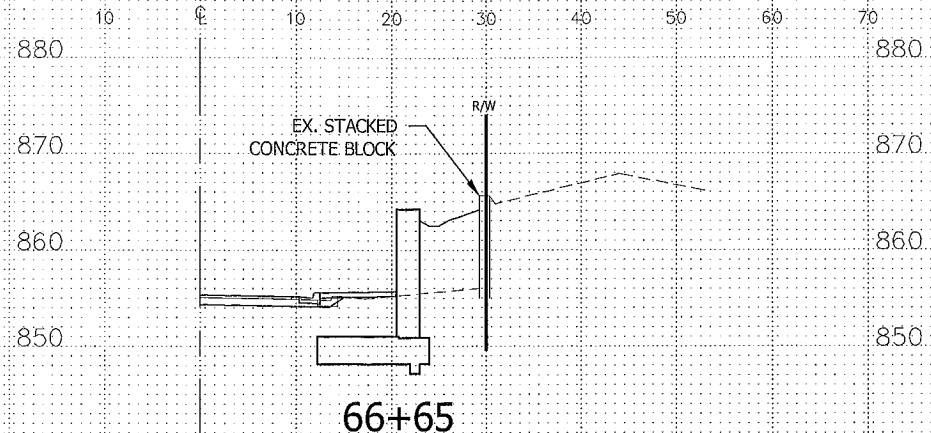
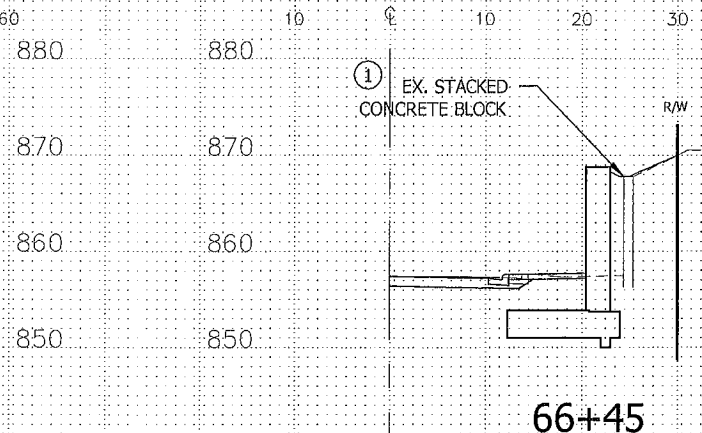
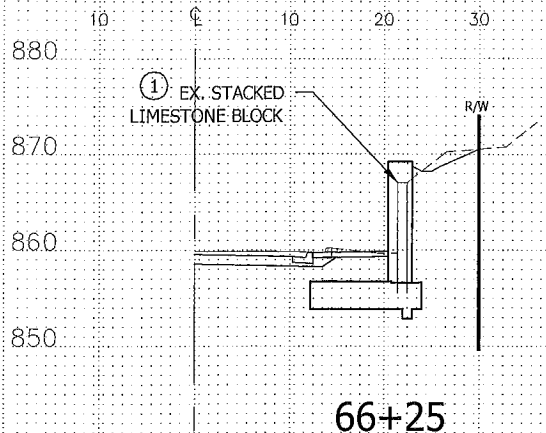
TITLE:  
 WEST AVENUE STREET RECONSTRUCTION  
 CROSS SECTIONS STA. 65+65 TO 66+20

DES:	BLF	DR:	AMH	APPROVED:
CHK:	AMH	CHK:	BLF	

SHEET NO. 50 OF 51 SHEETS



THE CONTRACTOR SHALL VERIFY AND BE RESPONSIBLE FOR ALL DIMENSIONS. DO NOT SCALE. THE CONTRACTOR SHALL VERIFY ALL DIMENSIONS AND DIMENSIONS ARE THE PROPERTY OF STANTEC. REPRODUCTION OR USE FOR ANY PURPOSE OTHER THAN THAT AUTHORIZED BY STANTEC IS PROHIBITED.



NOTES:  
 ① CONTRACTOR SHALL DETERMINE IF EXISTING STACKED BLOCK WALLS WITHIN R/W SHALL BE REMOVED OR REMAIN, INCLUDED IN PRICE BID FOR ITEM "FOUNDATION PREPARATION".

10'  
10'

Plot Date: 04/14/2014 10:48:00am  
 Plot Path: \\stn\work\14060521\CAD\DWG\14060521\_XSEC.dwg  
 XREF: 14060521\_14060521



CERTIFIED BY: *Ronald Benson* 3/14/2014  
 LICENSED PROFESSIONAL ENGINEER DATE  
 NAME: RONALD BENSON LIC. NO.: 22737

TITLE:  
 WEST AVENUE STREET RECONSTRUCTION  
 CROSS SECTIONS STA. 66+25 TO 66+75

DES: BLF	DR: AMH	APPROVED:
CHK: AMH	CHK: BLF	

SHEET NO. 51 OF 51 SHEETS

S.P. 156-127-003